

卡搭 CaDA

Designed in California

Building Blocks Remote-controlled Running Function



Double E

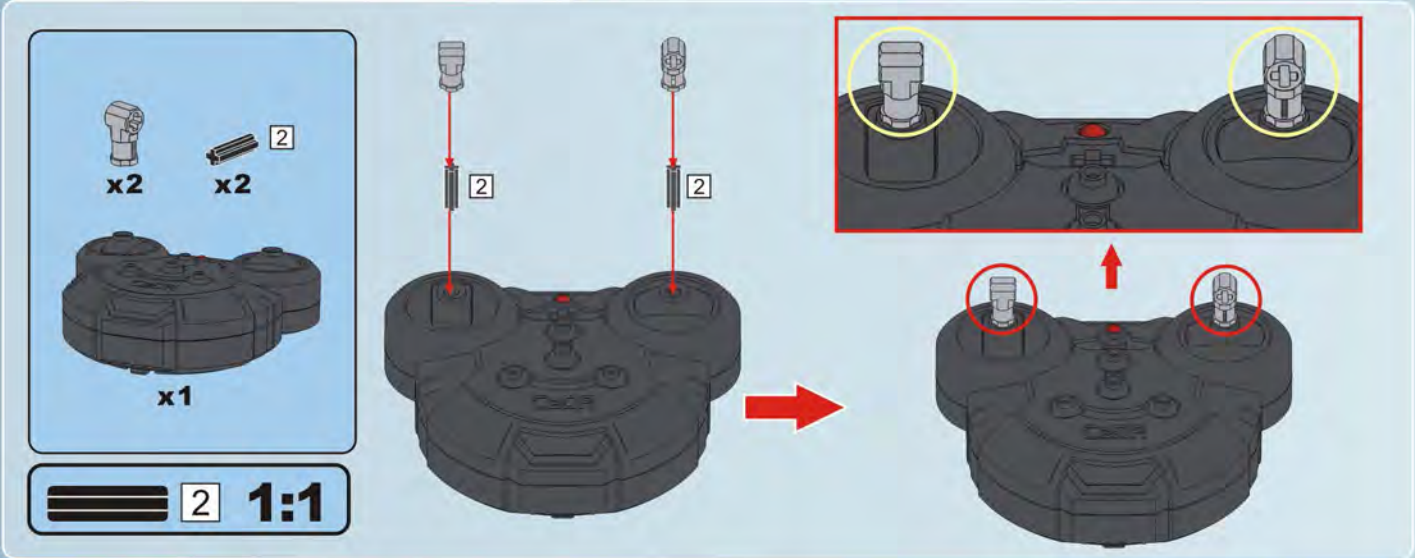
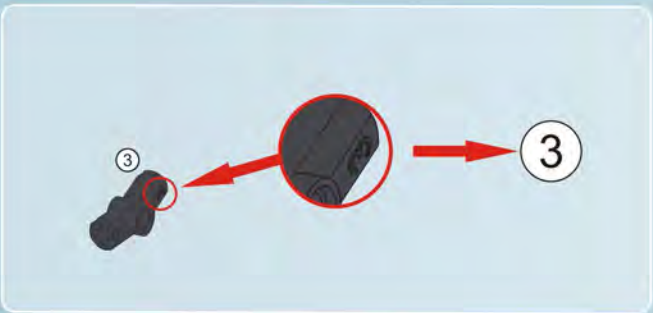
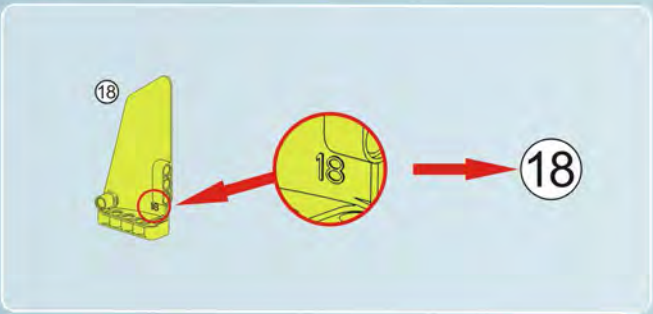
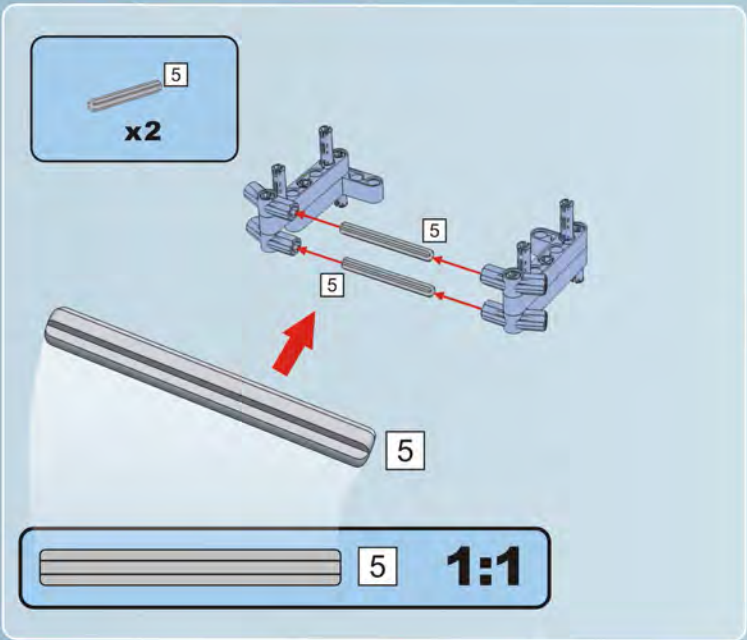


Age

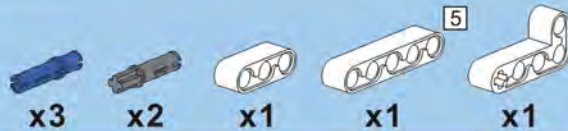
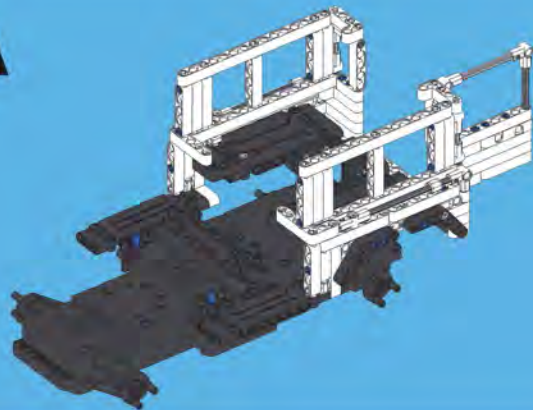
6 +

C51004

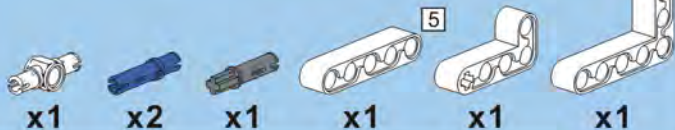
RC[Ⓜ]
RADIO CONTROL



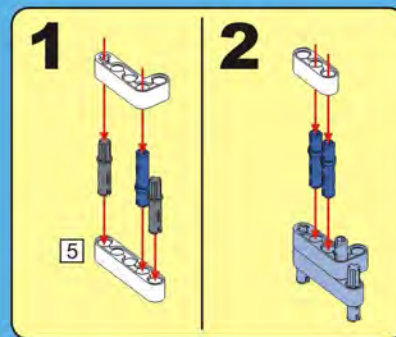
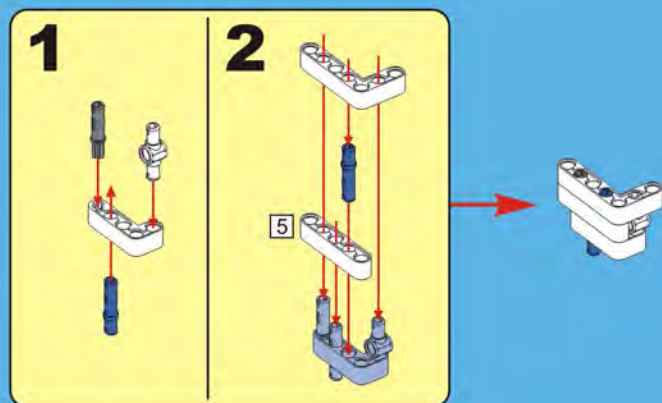
A

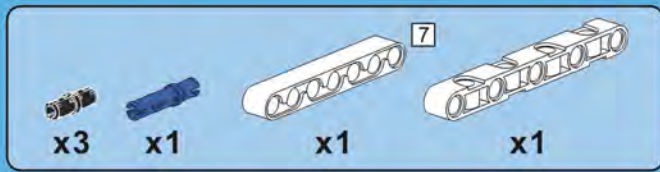


A2

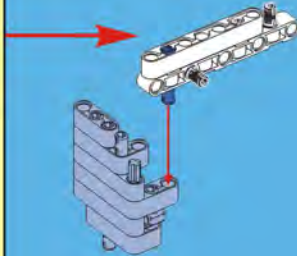
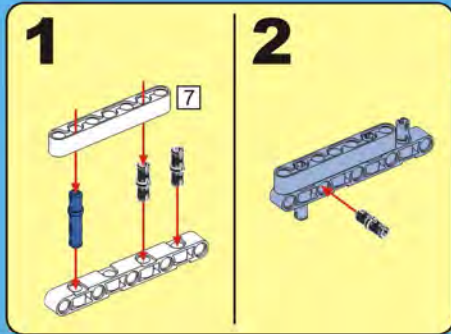


A1

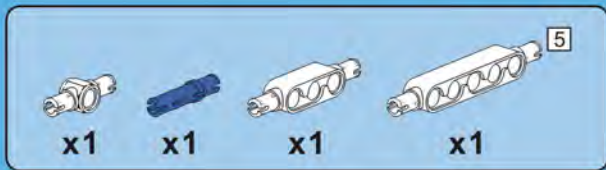
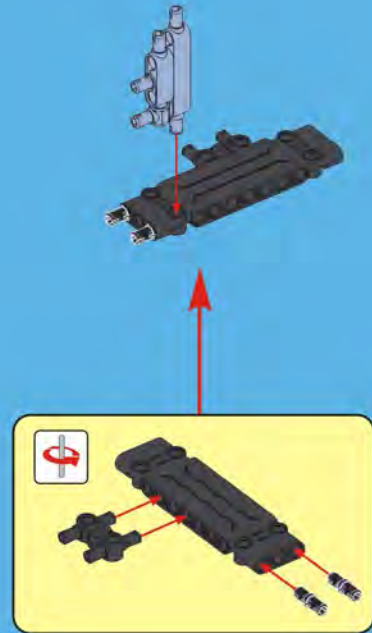




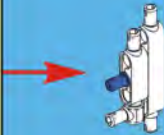
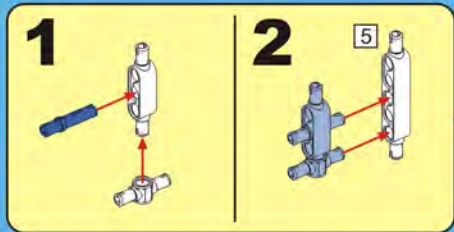
A3

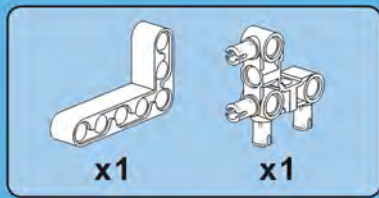


A5

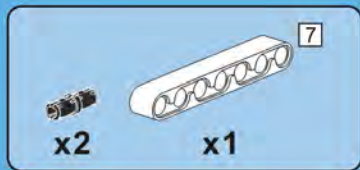
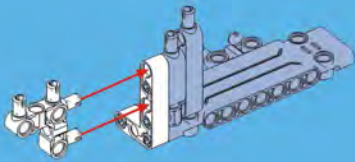


A4

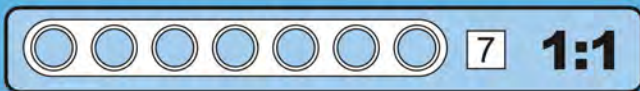
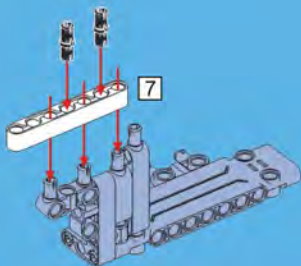




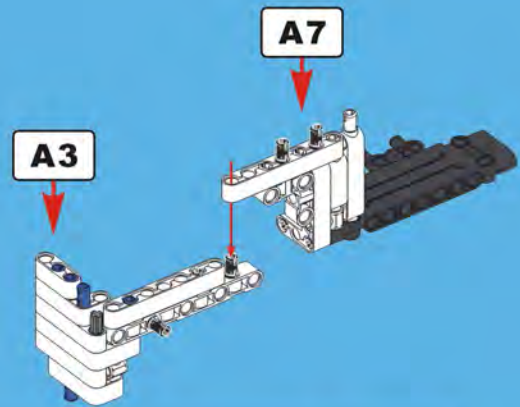
A6



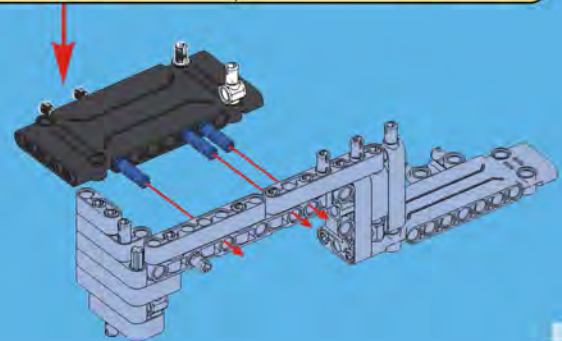
A7

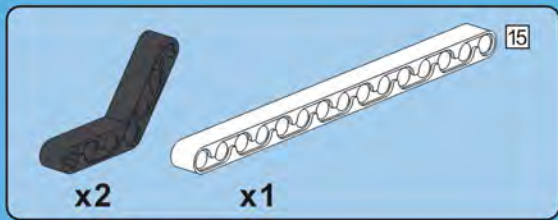


A8

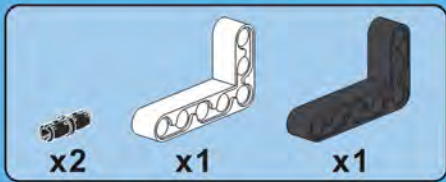
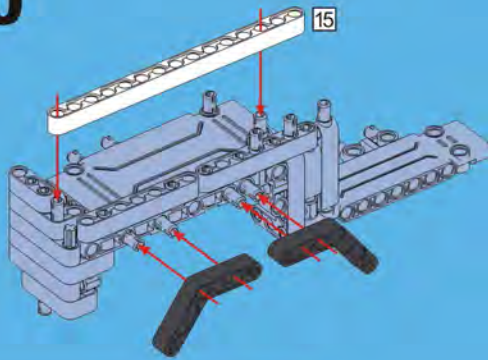


A9

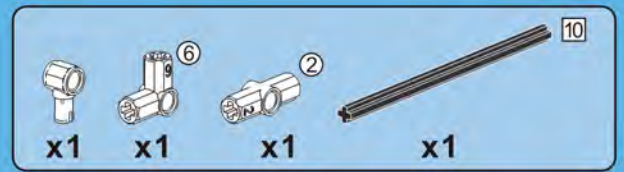
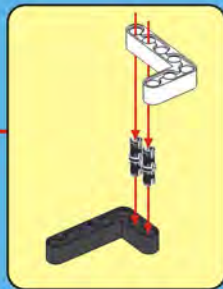
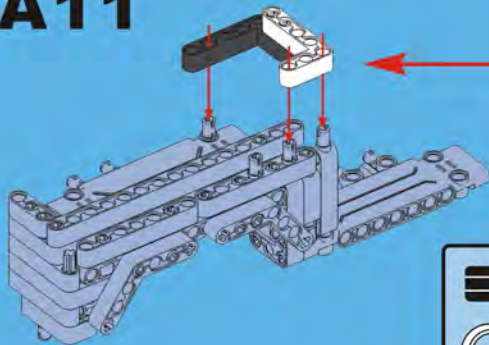




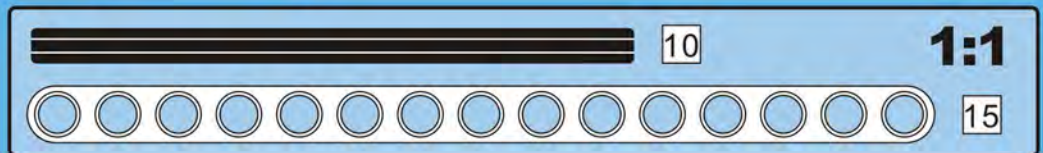
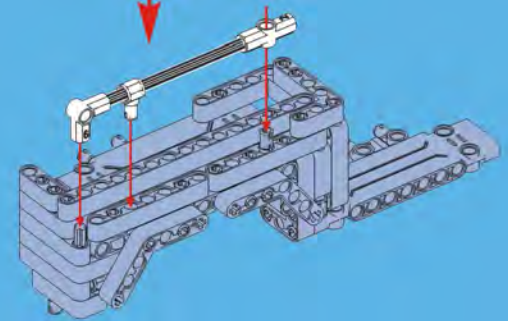
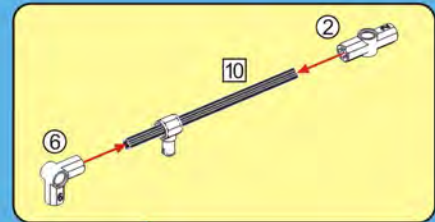
A10



A11

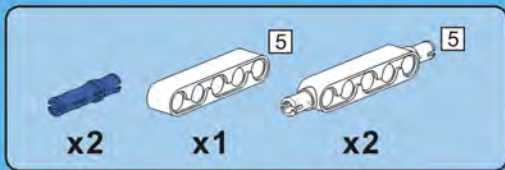
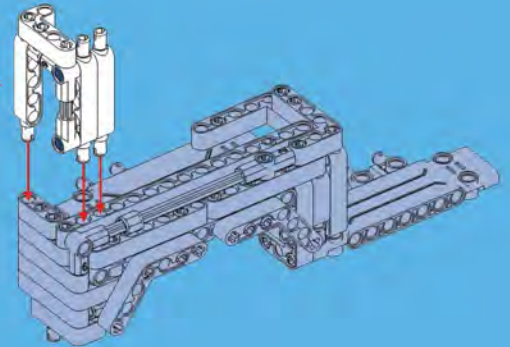
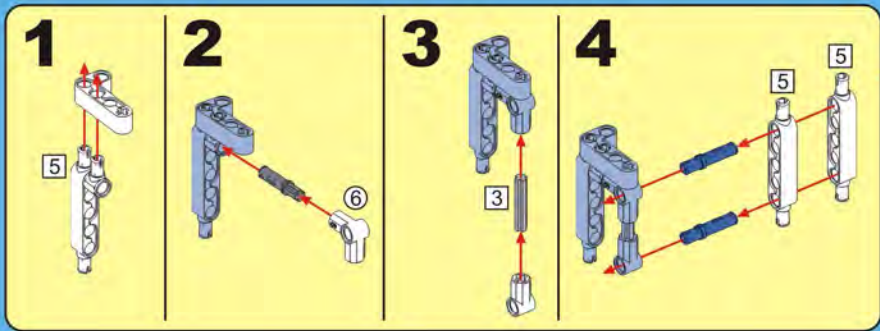


A12

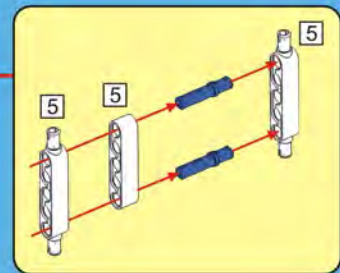
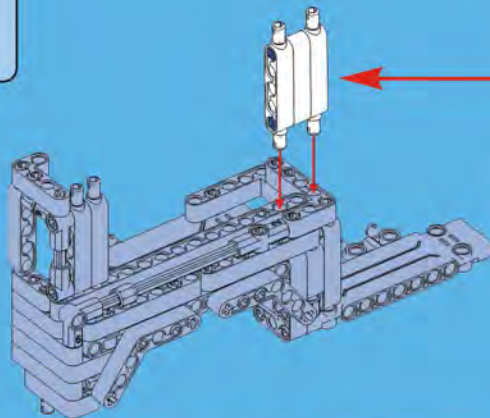


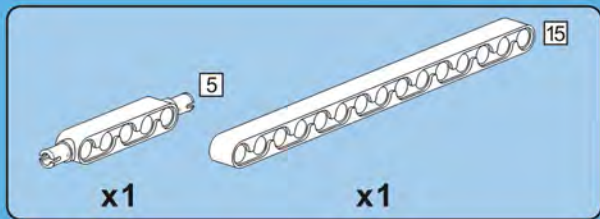


A13

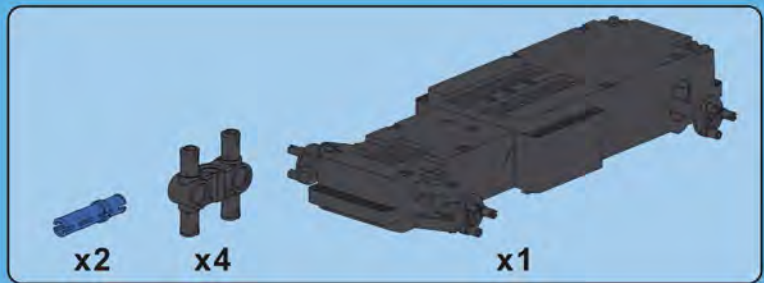
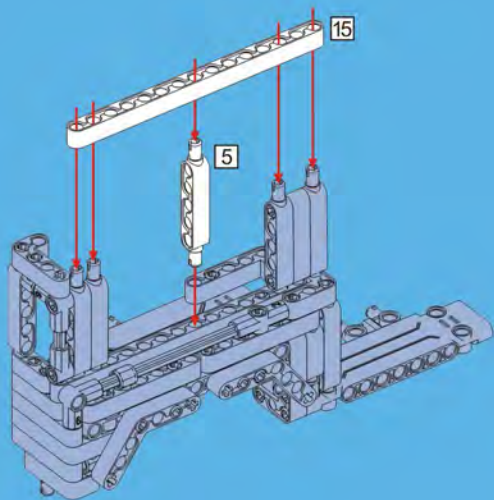


A14

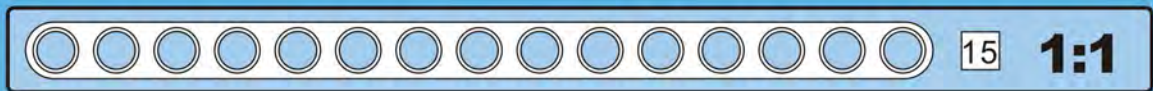
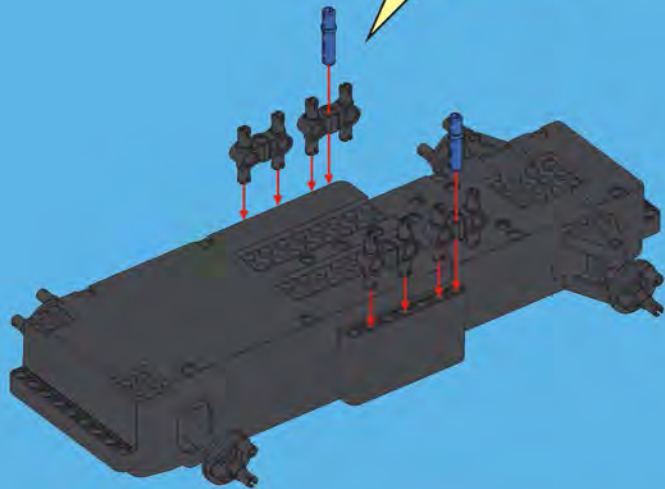
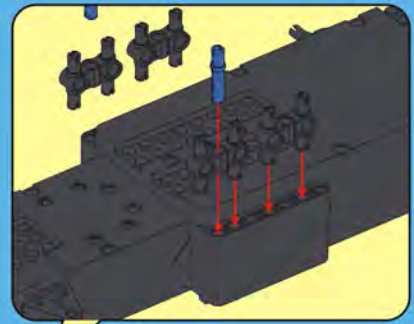




A15

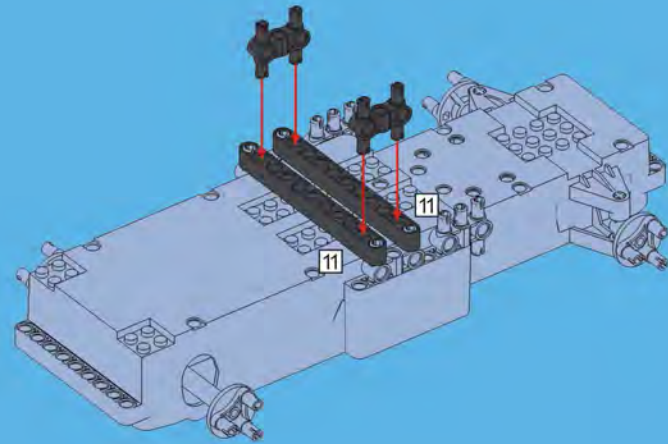


A16

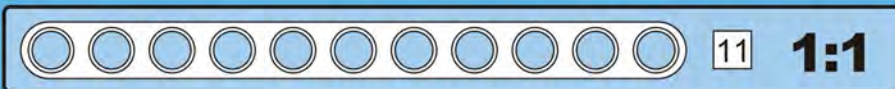
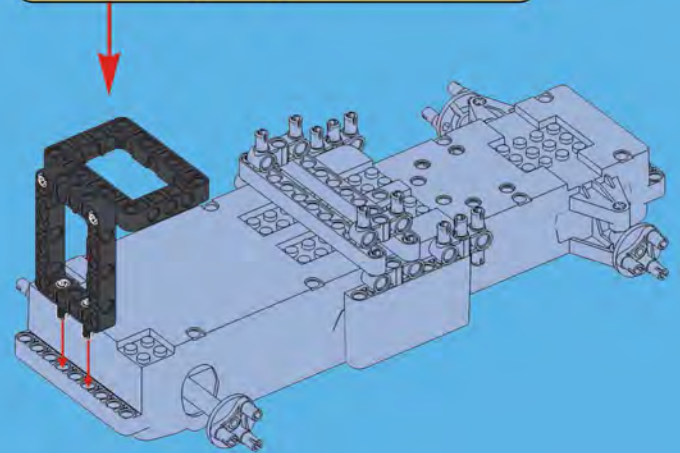
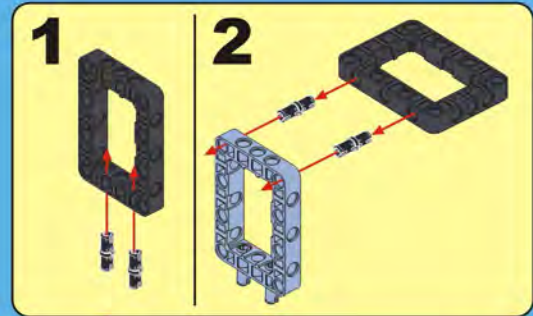




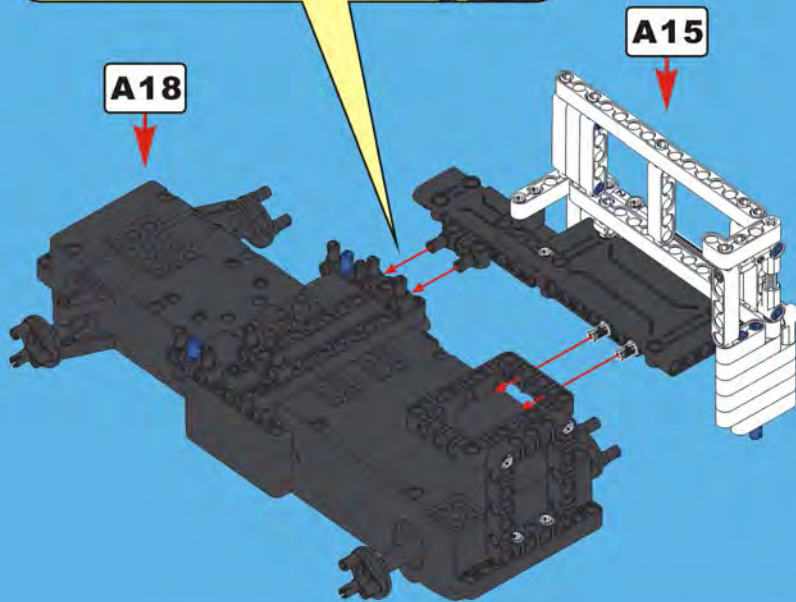
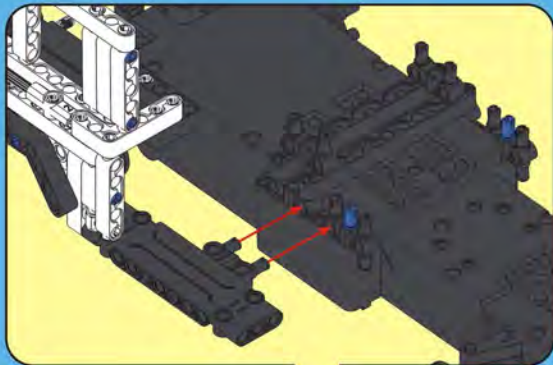
A17



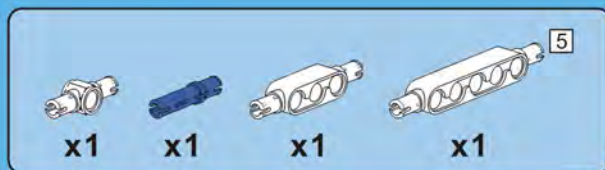
A18



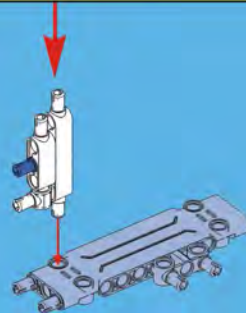
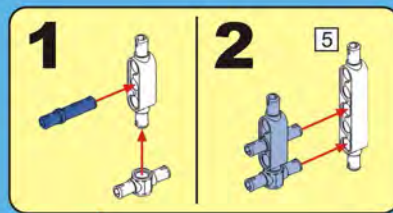
A19

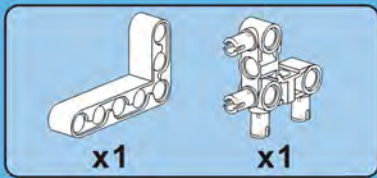


A20

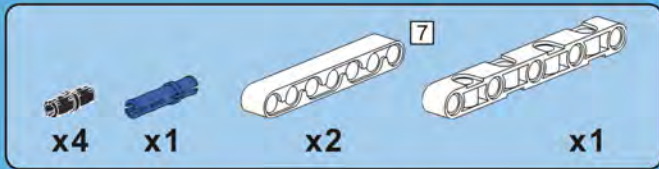
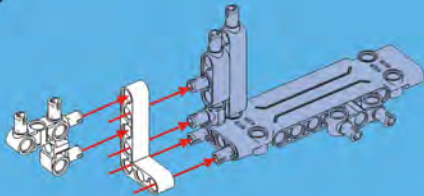


A21

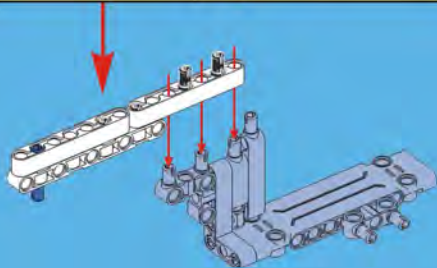
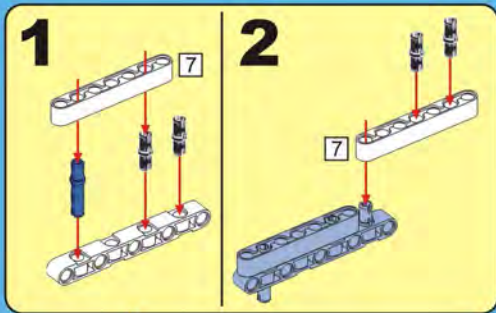




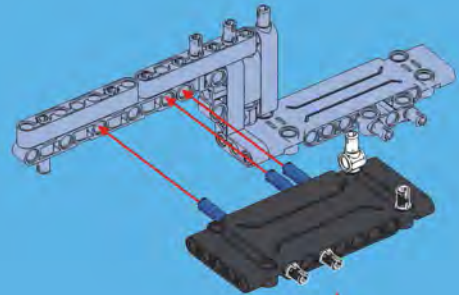
A22

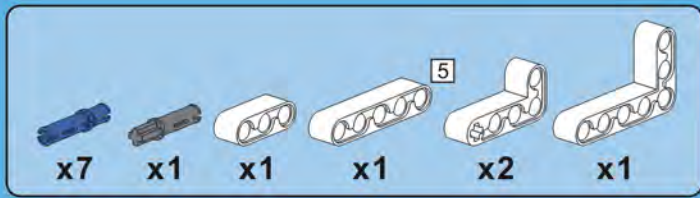


A23

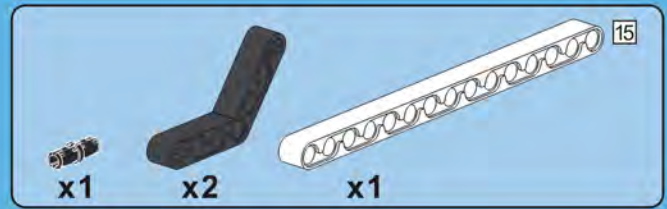
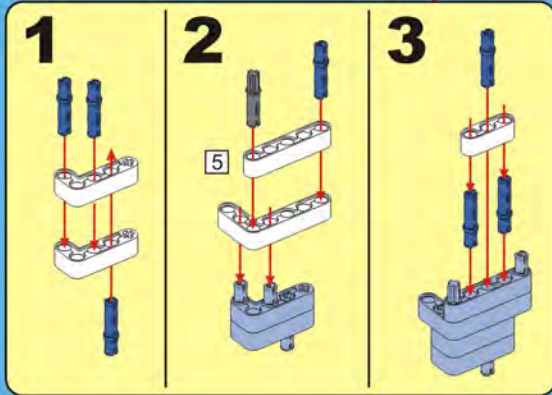
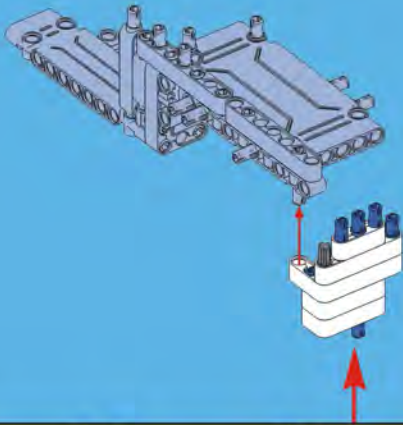


A24

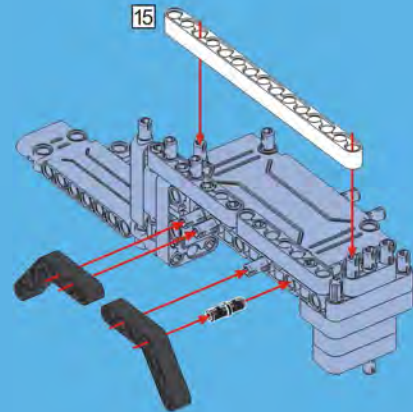


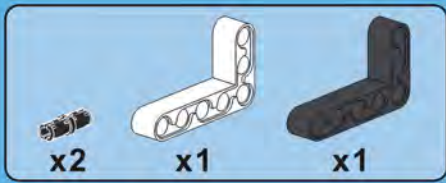


A25

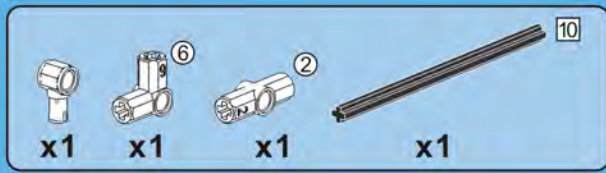
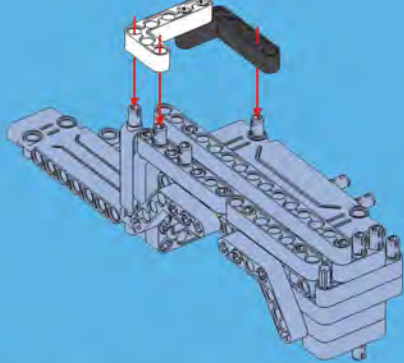
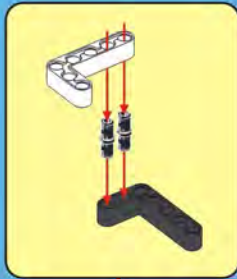


A26

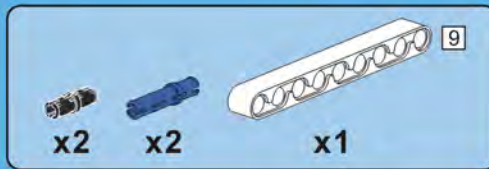
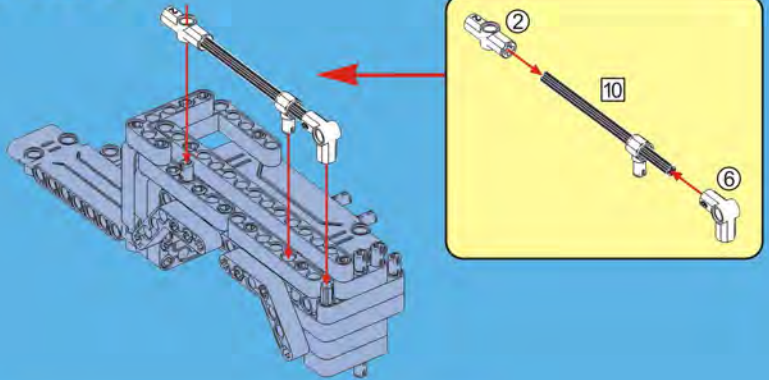




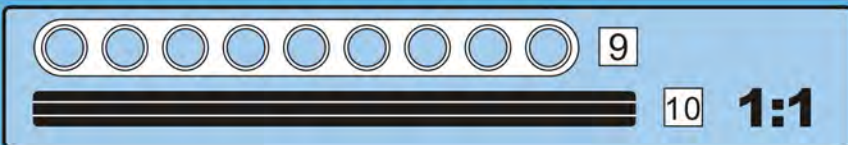
A27

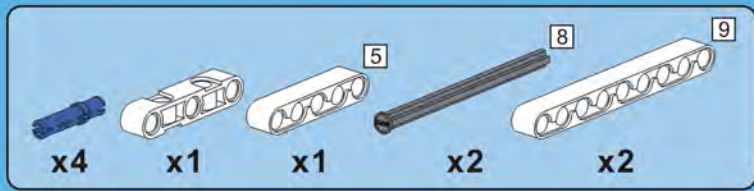


A28

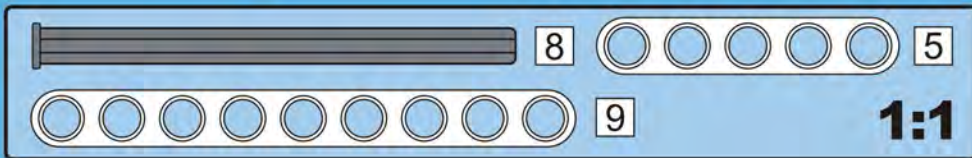
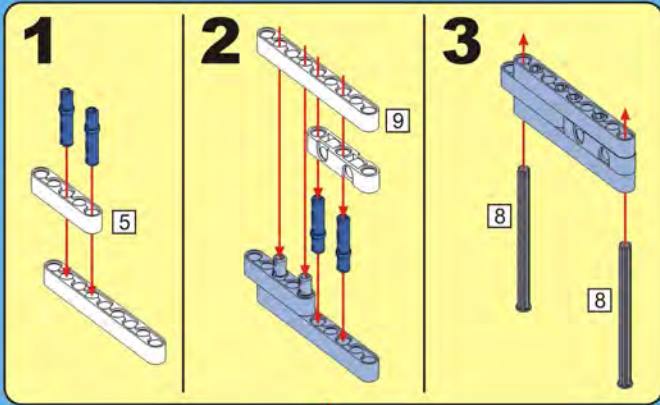


A29

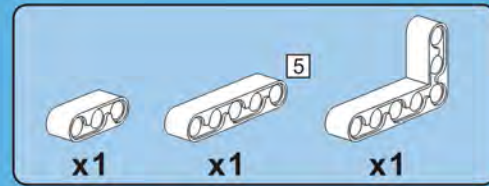
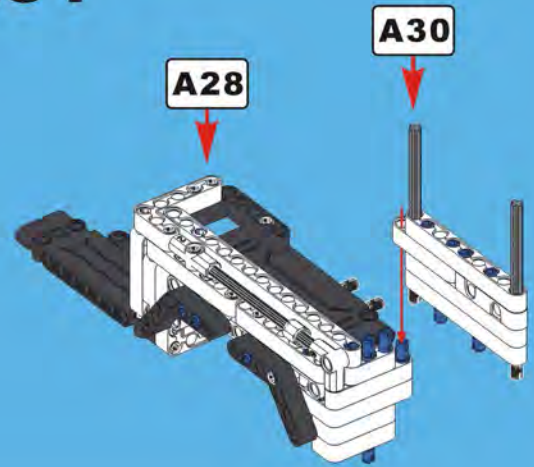




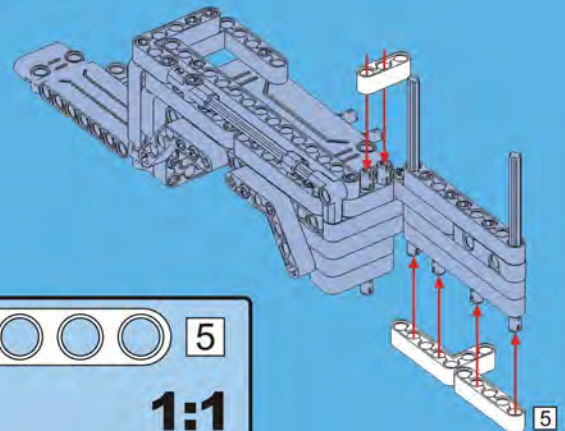
A30

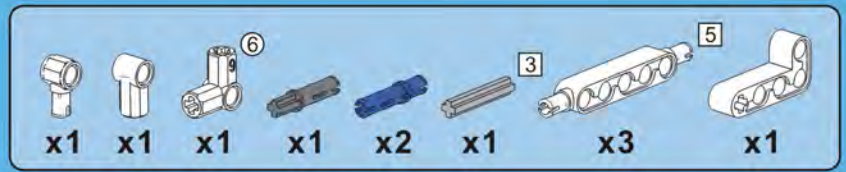
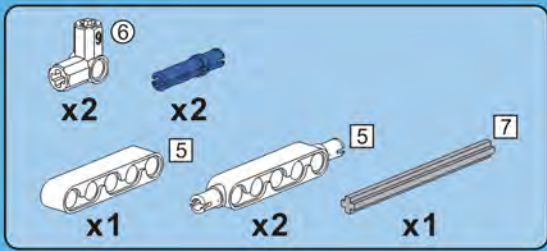


A31



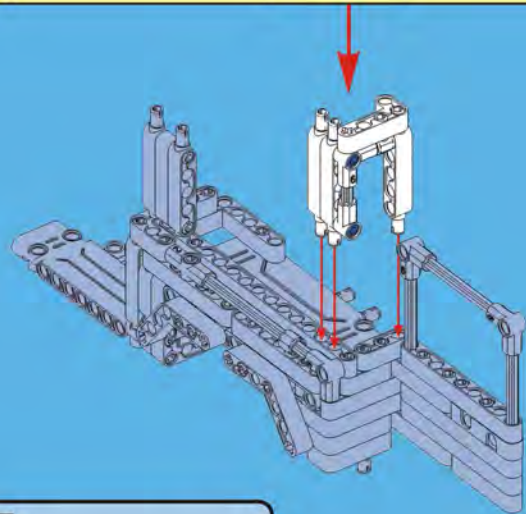
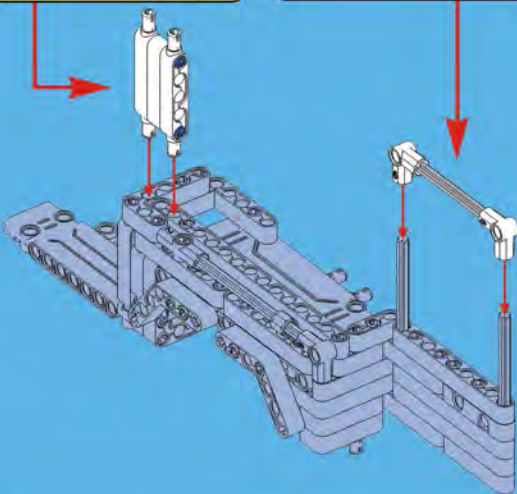
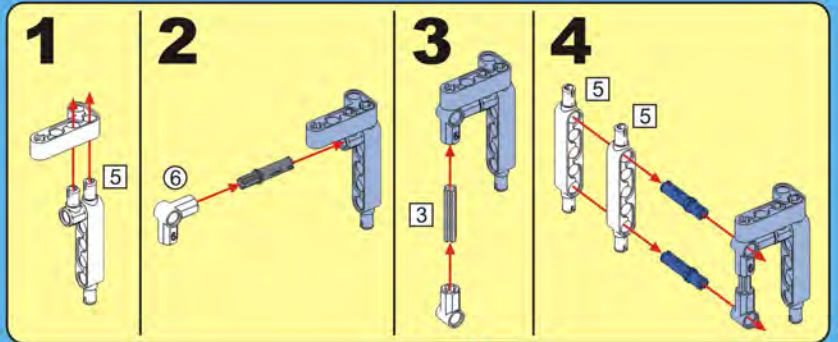
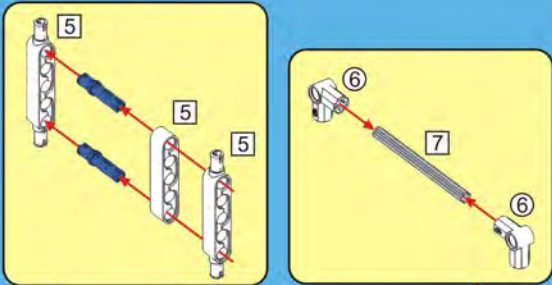
A32

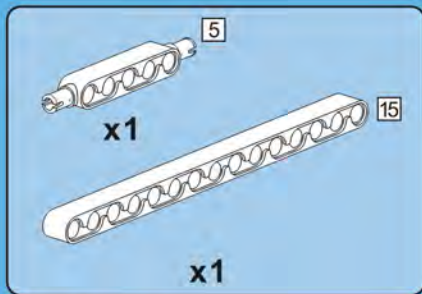




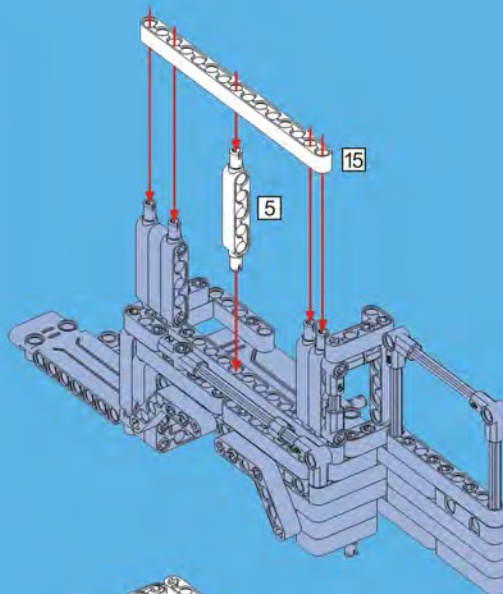
A34

A33

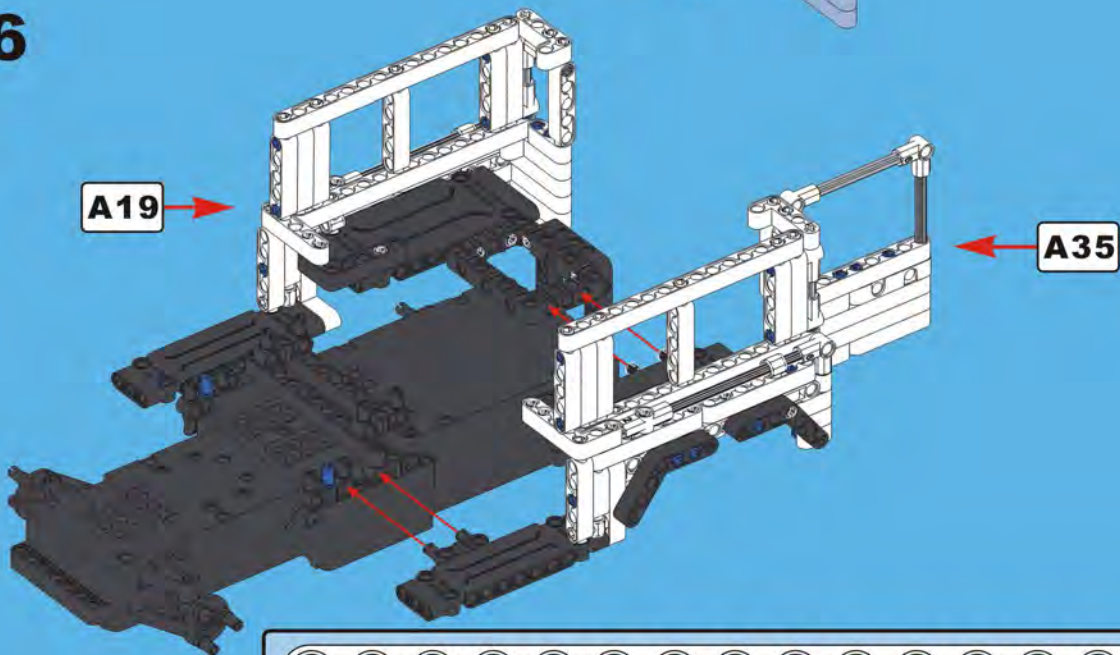


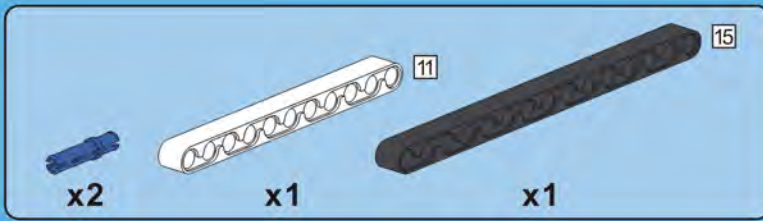


A35

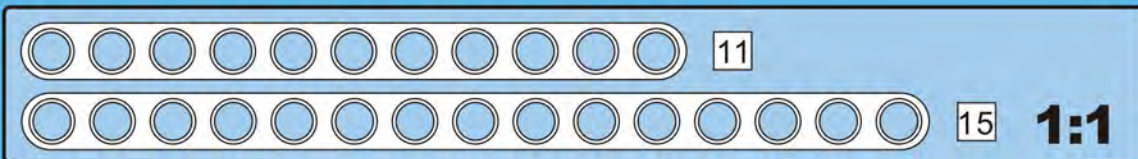
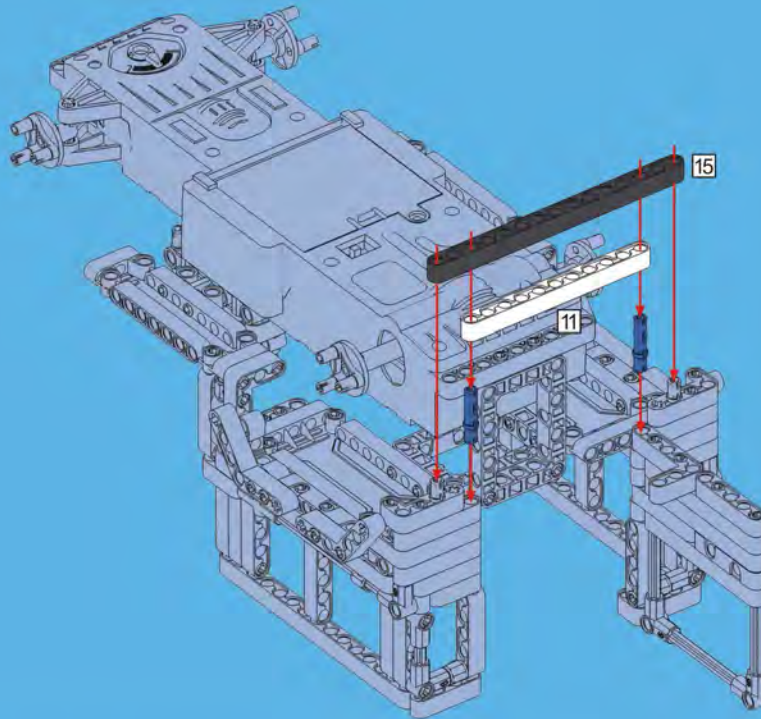


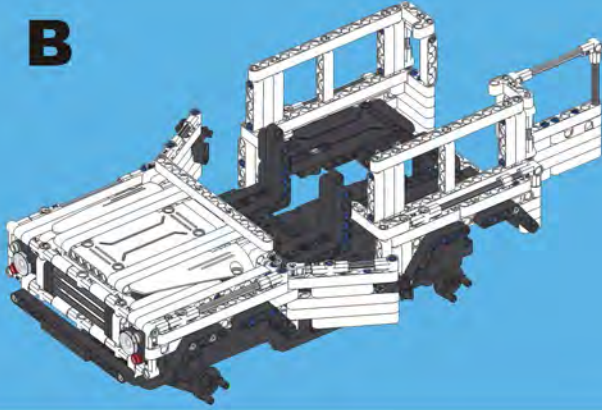
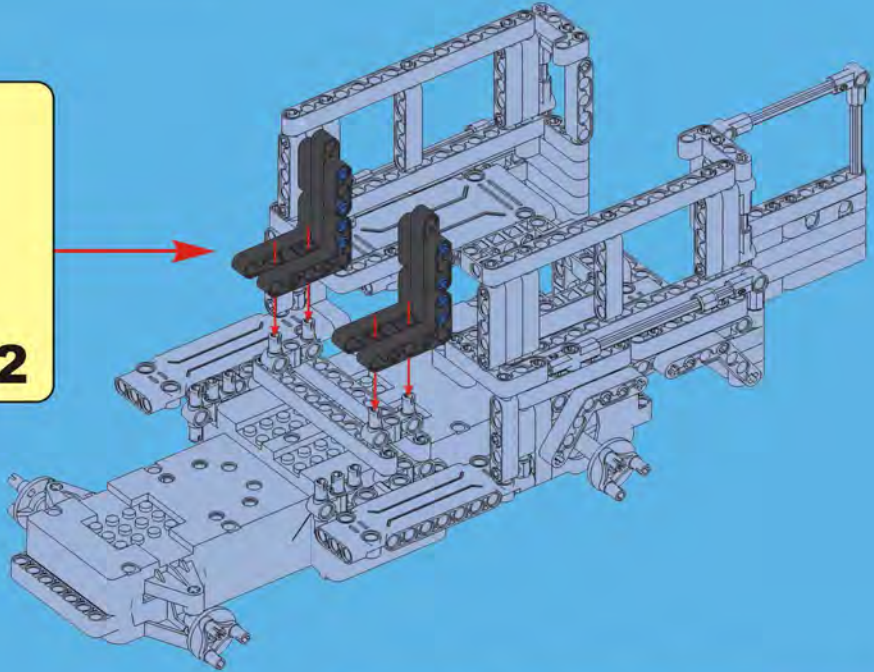
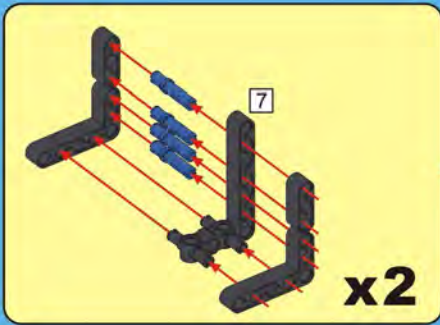
A36





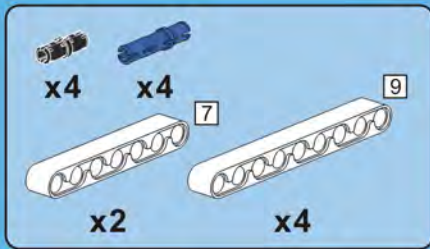
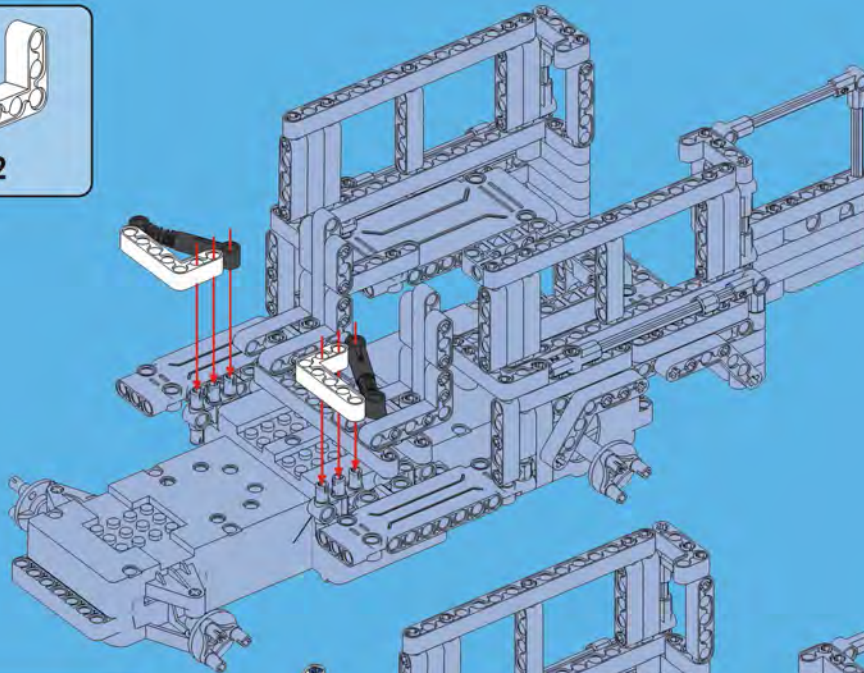
A37



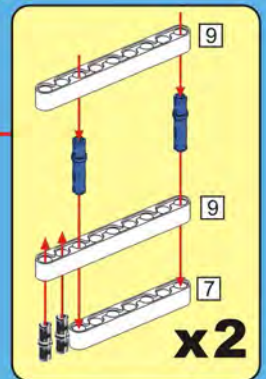
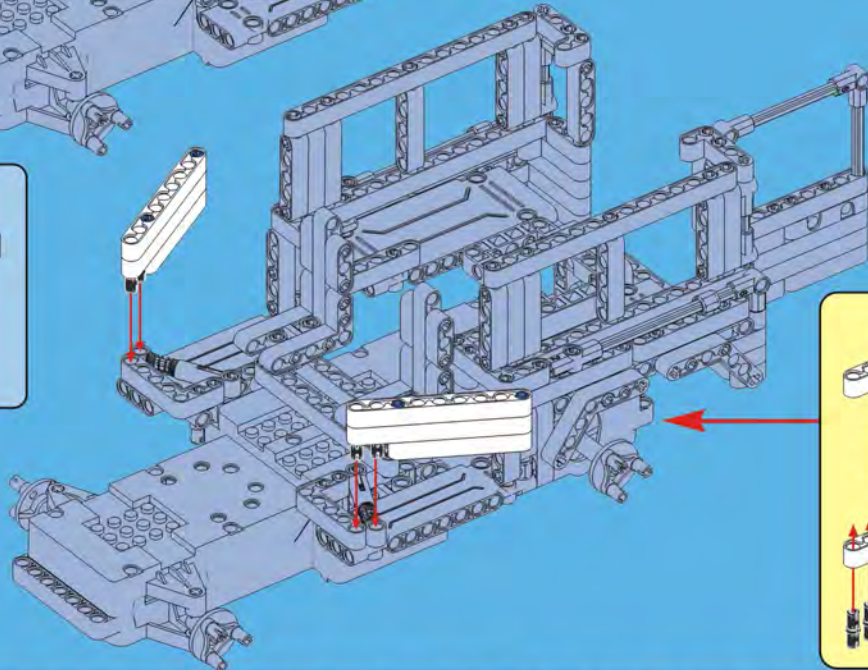
B**B1**



B2

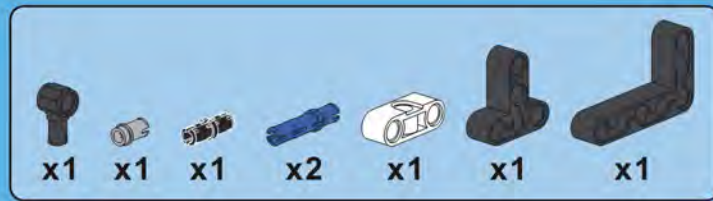
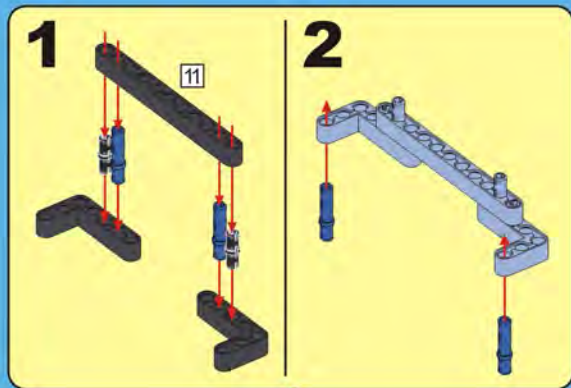


B3

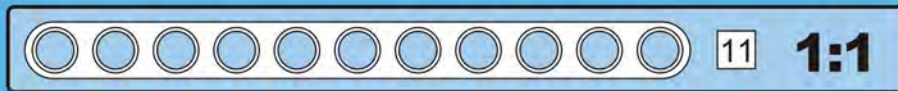
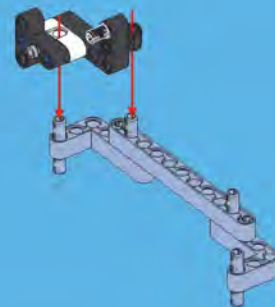
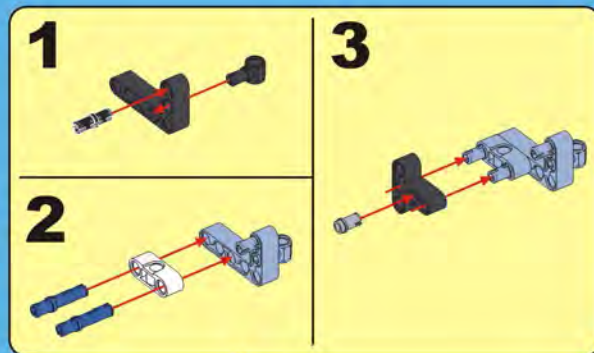


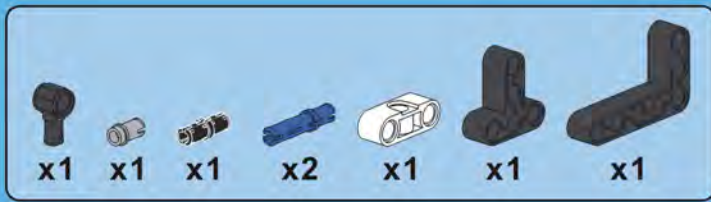


B4

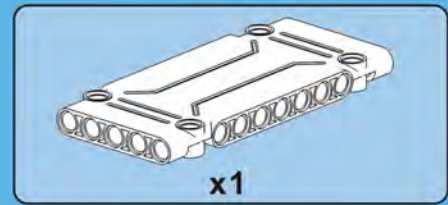
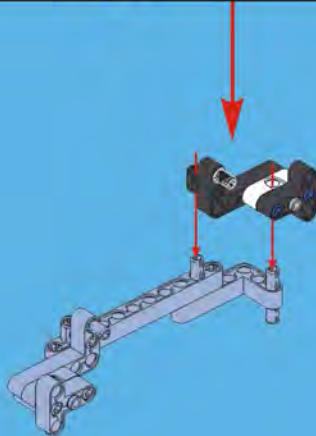
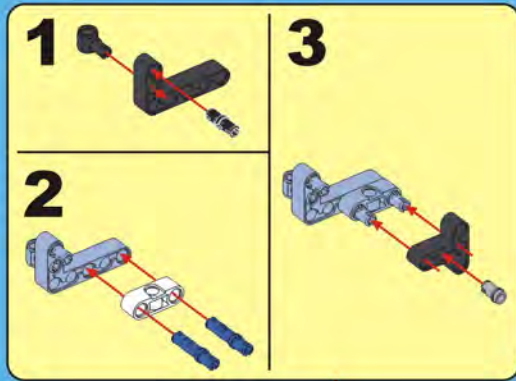


B5

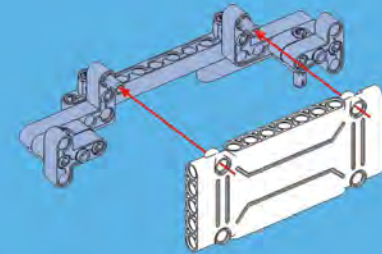


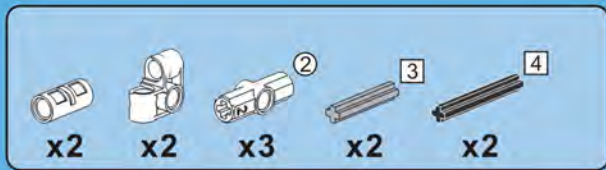


B6

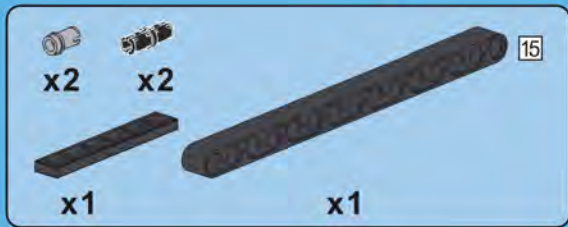
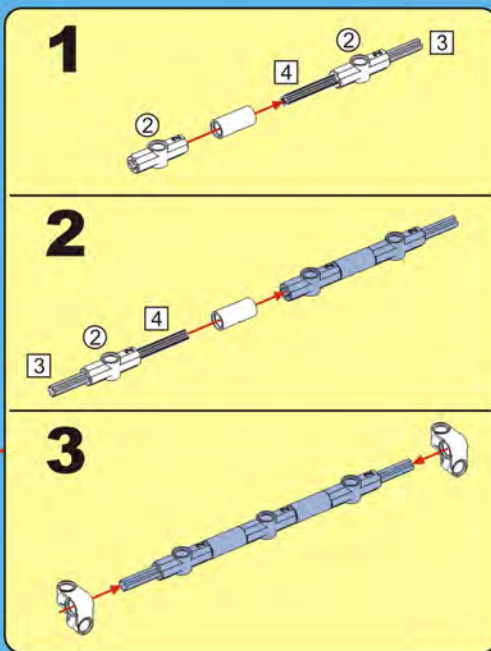
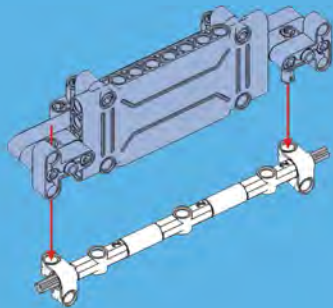


B7

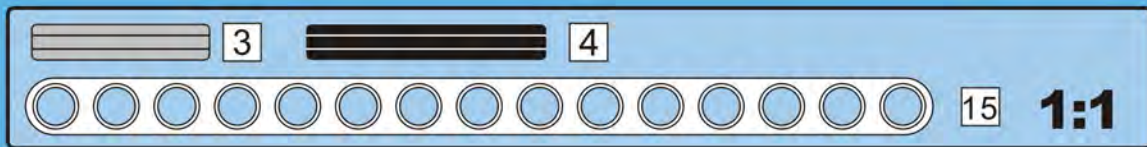
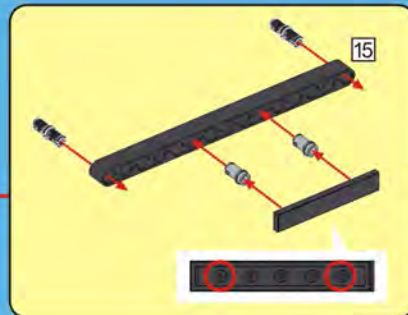
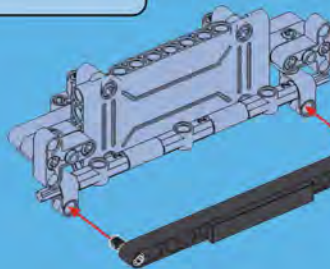


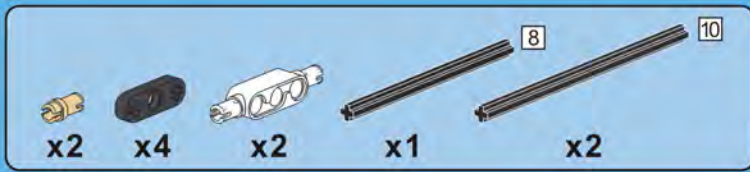


B8

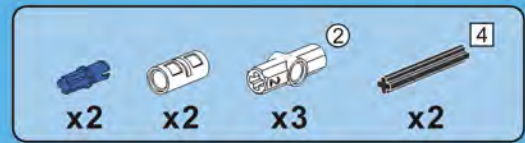
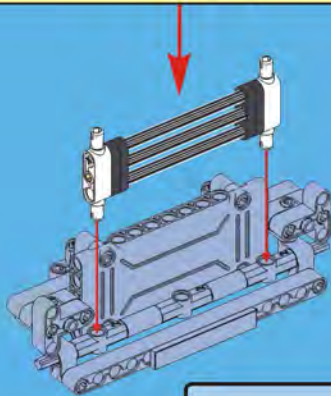
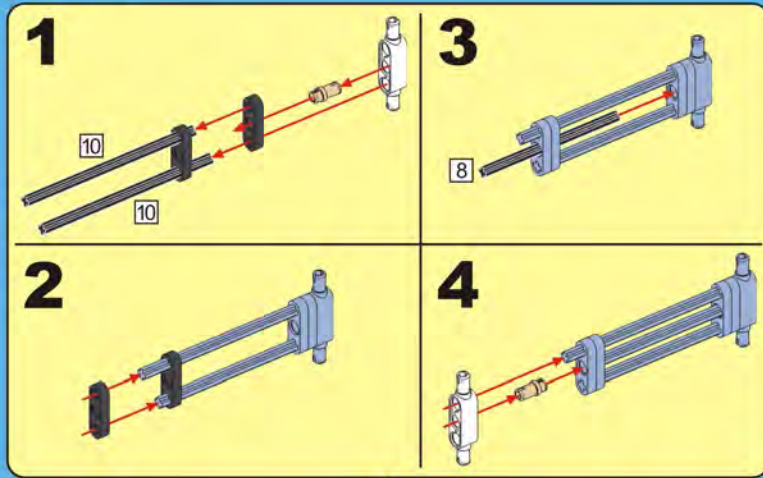


B9

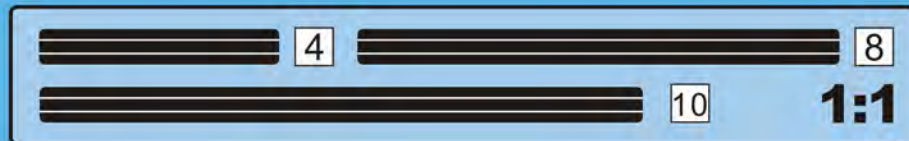
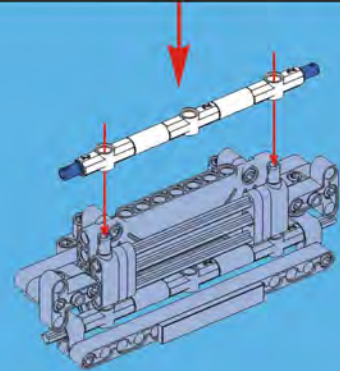
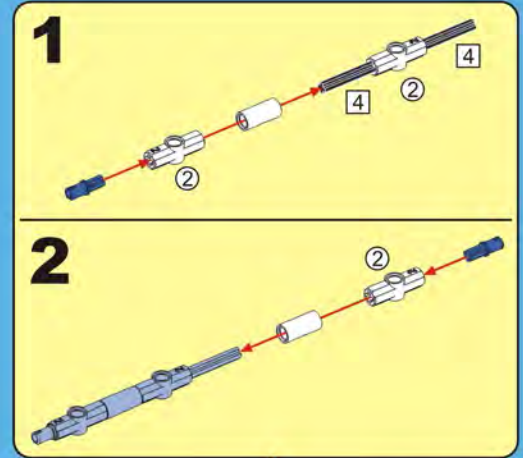




B10

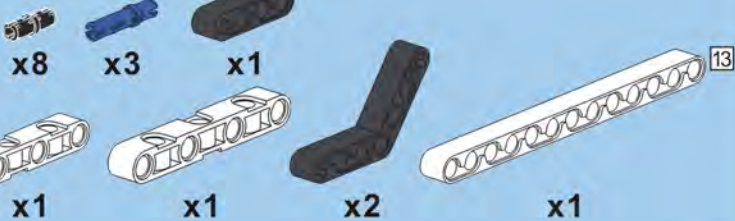
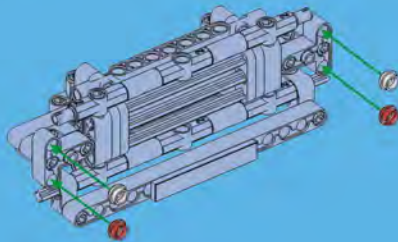


B11



x2 x2

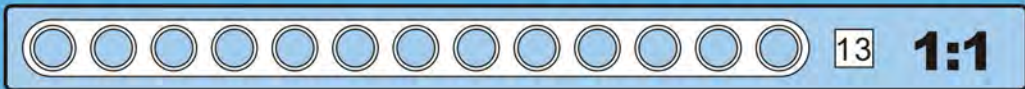
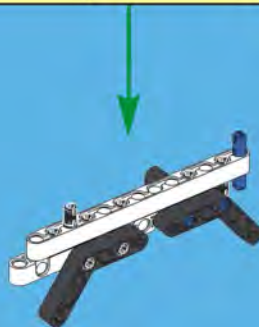
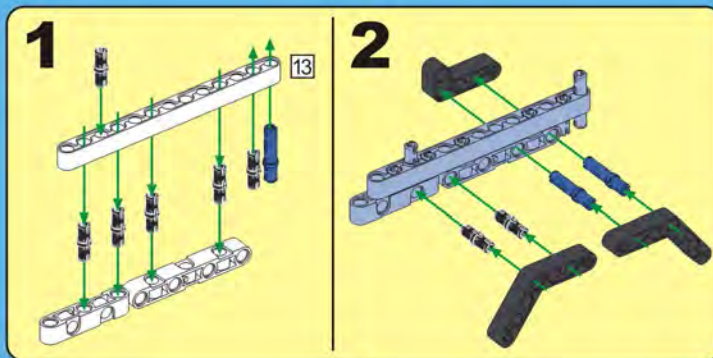
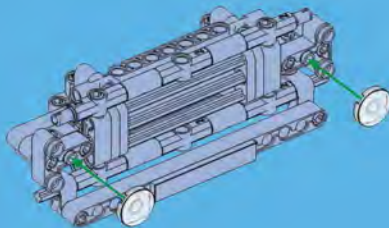
B12

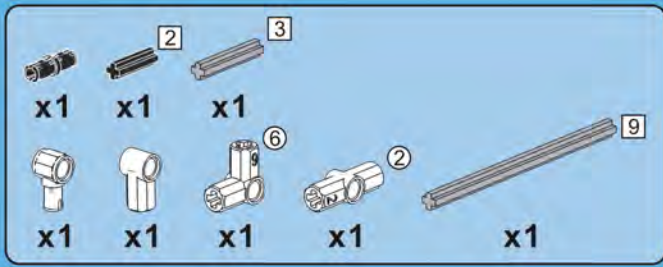


B14

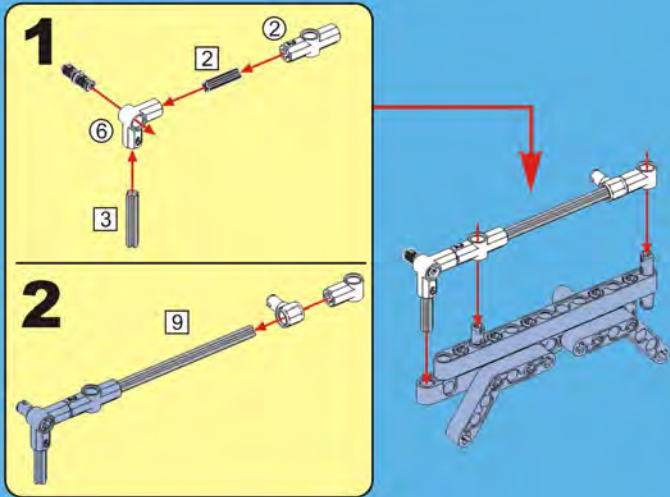
x2

B13

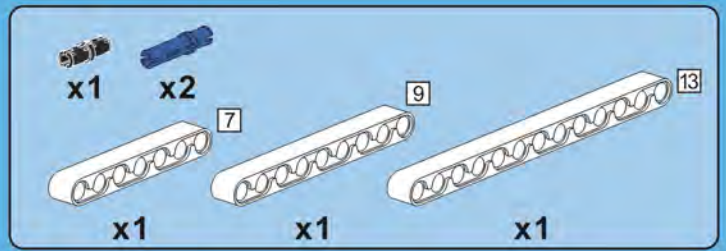
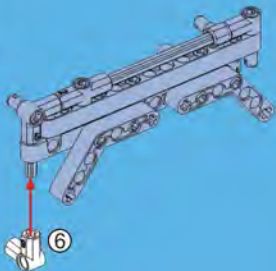




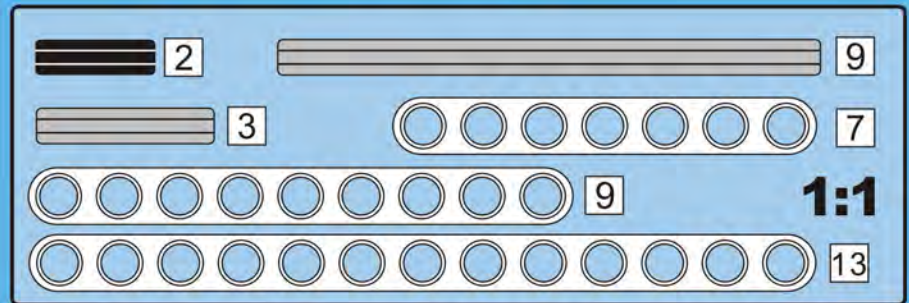
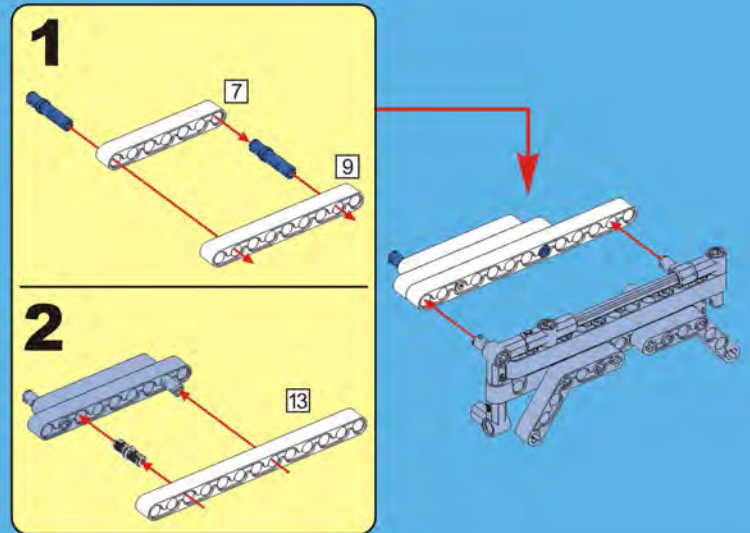
B15



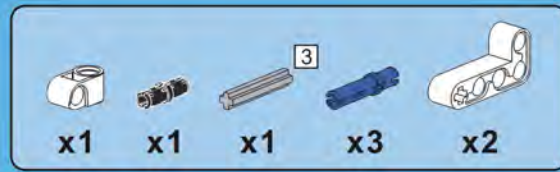
B16



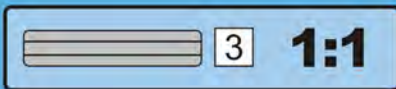
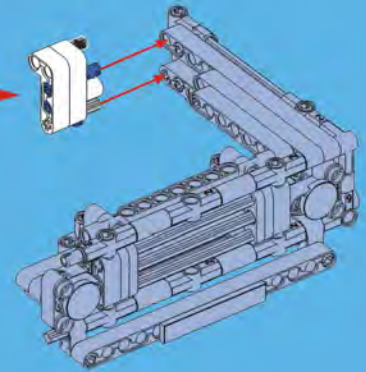
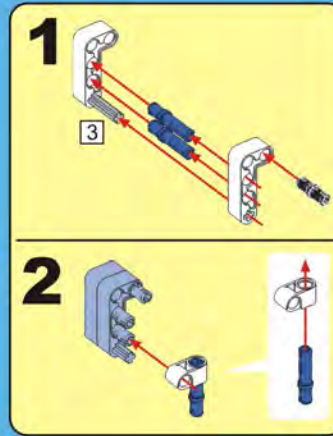
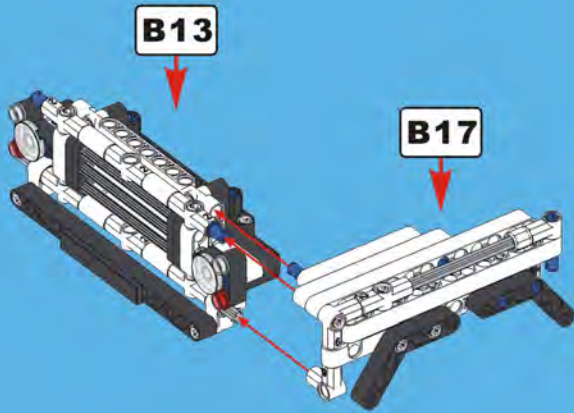
B17

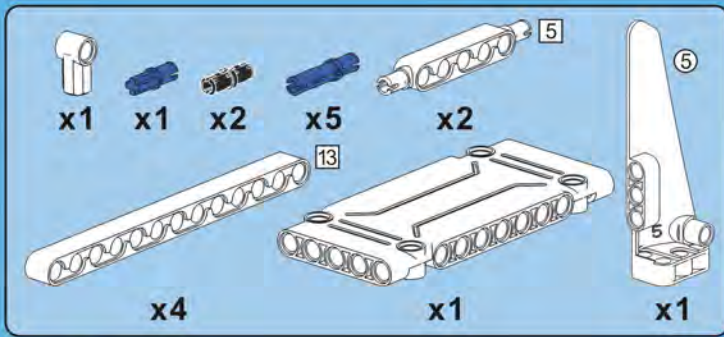


B18

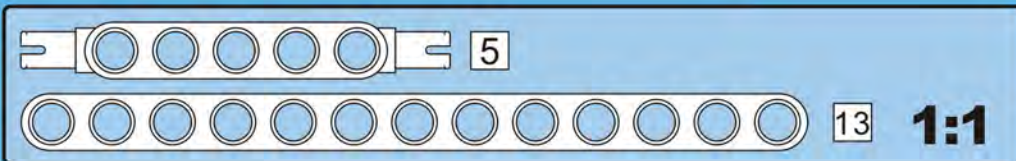
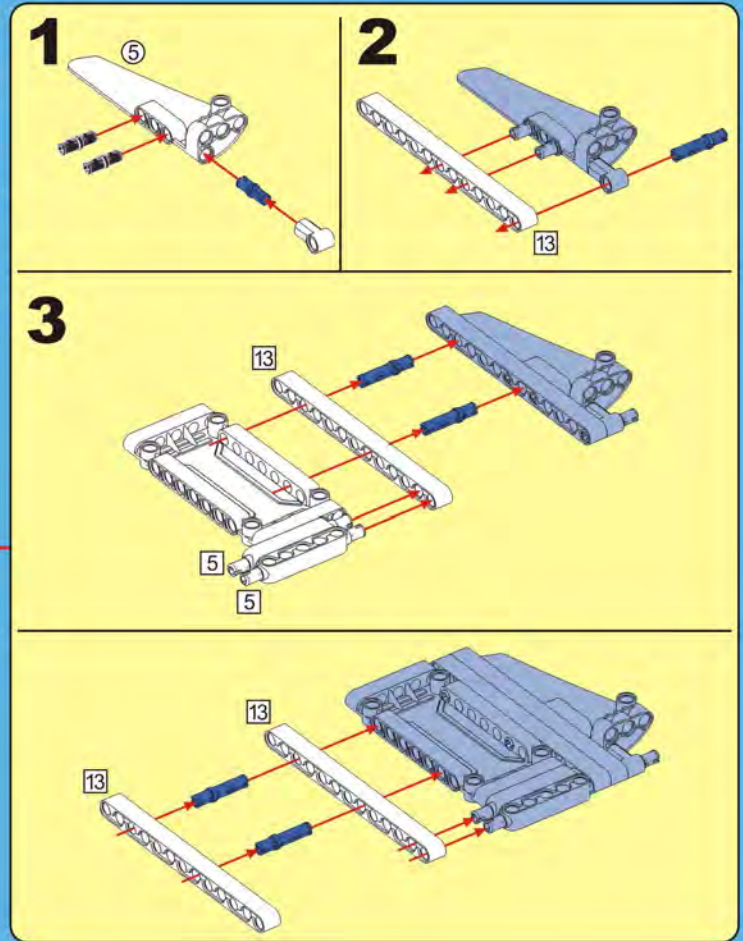
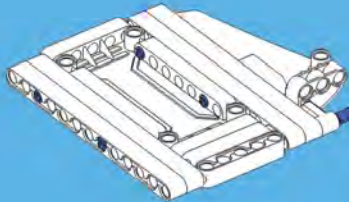


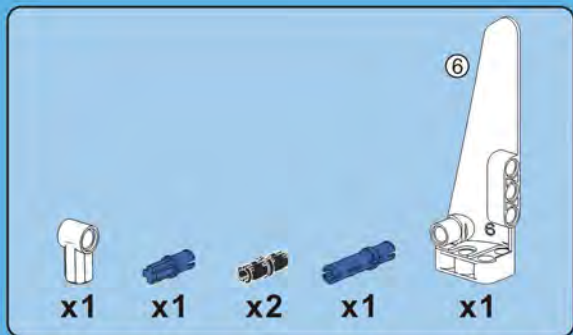
B19



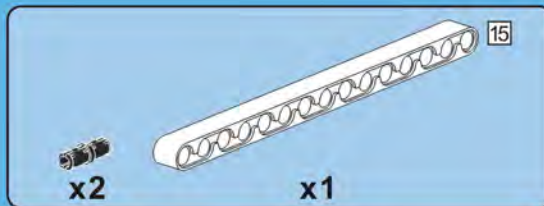
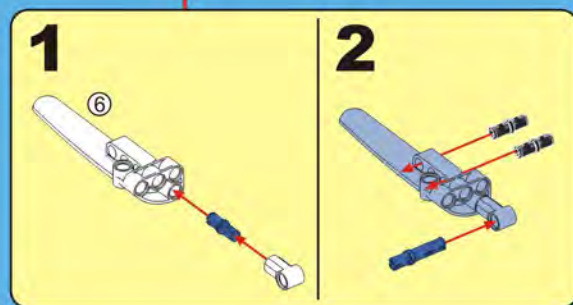
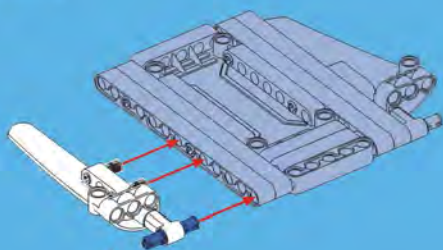


B20

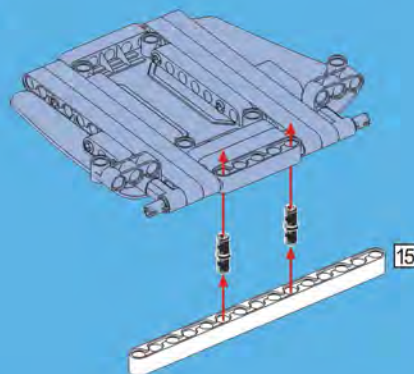




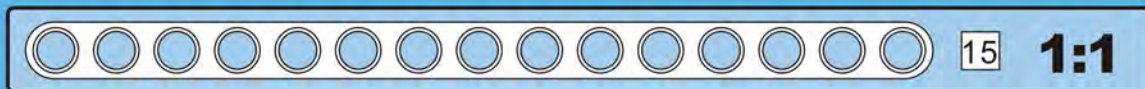
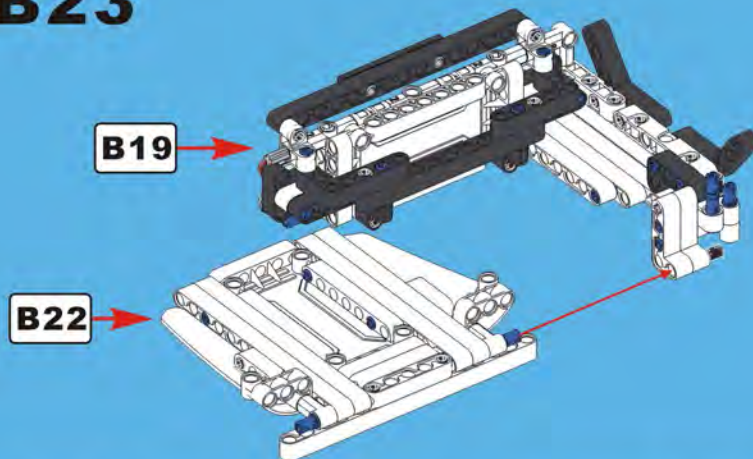
B21

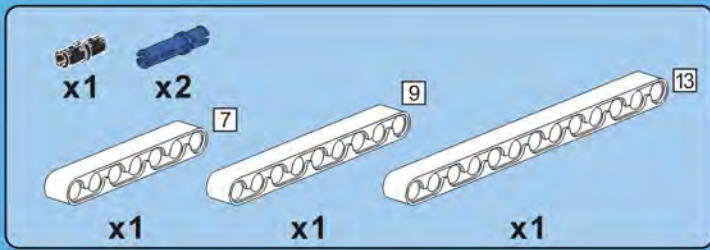


B22

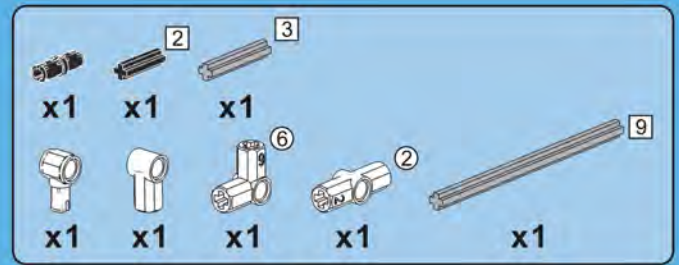
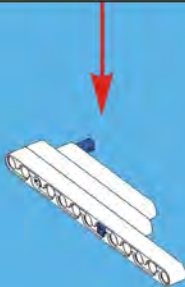
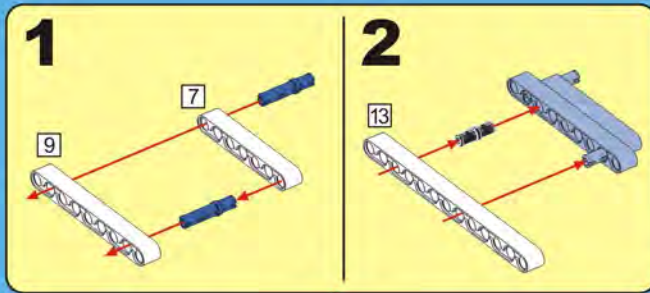


B23

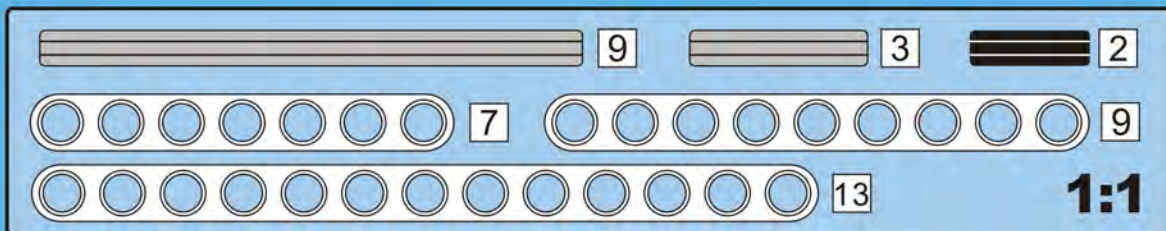
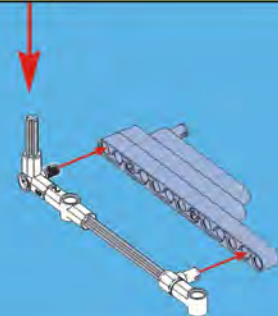
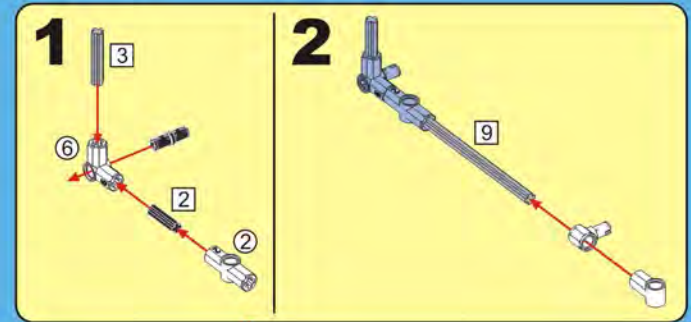


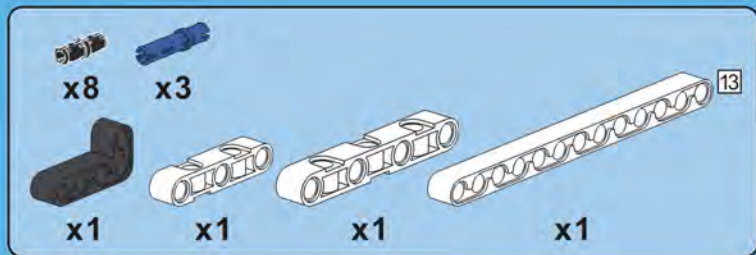


B24

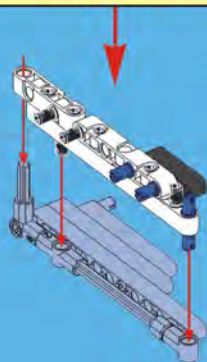
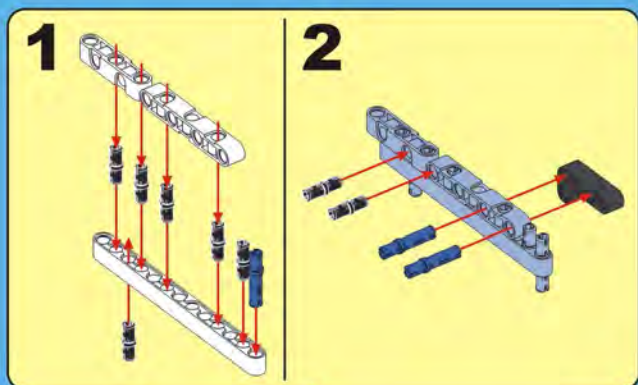


B25

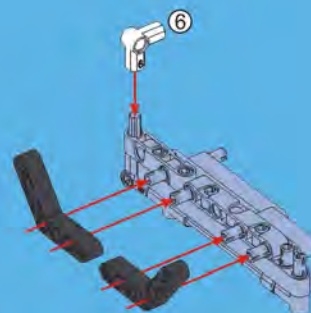


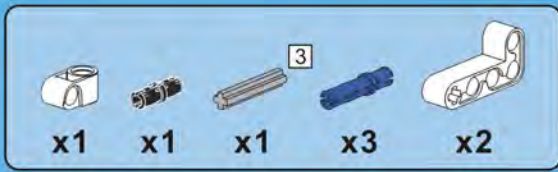


B26

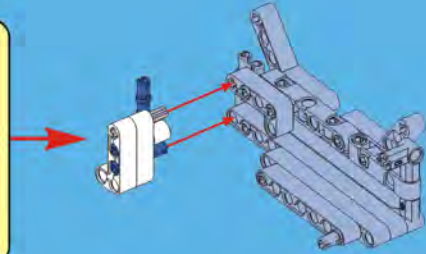
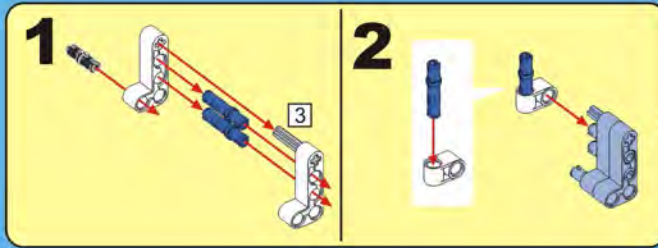


B27

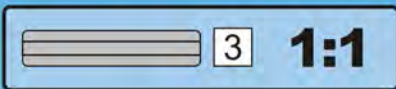
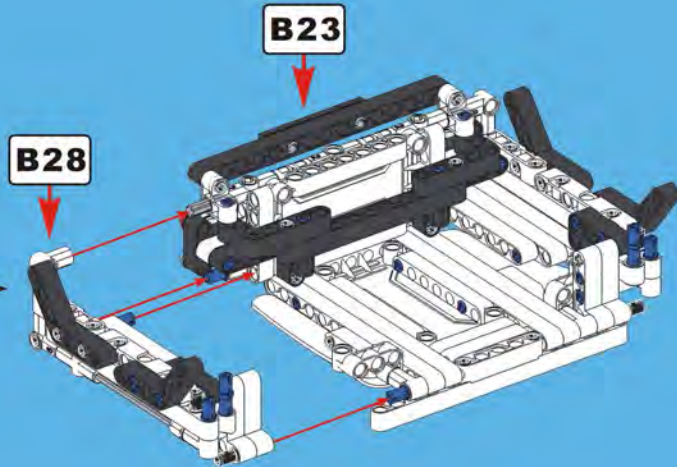
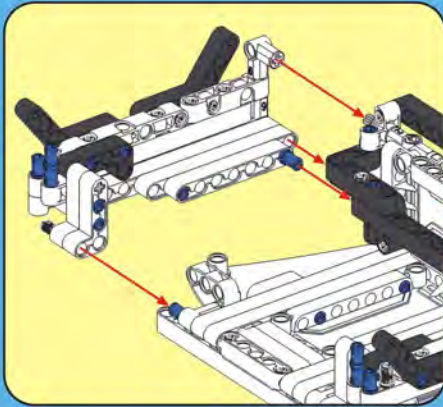


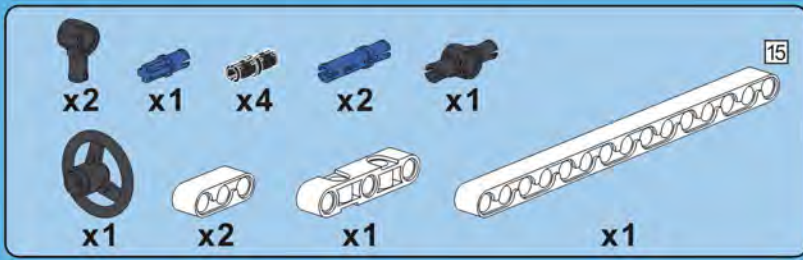


B28

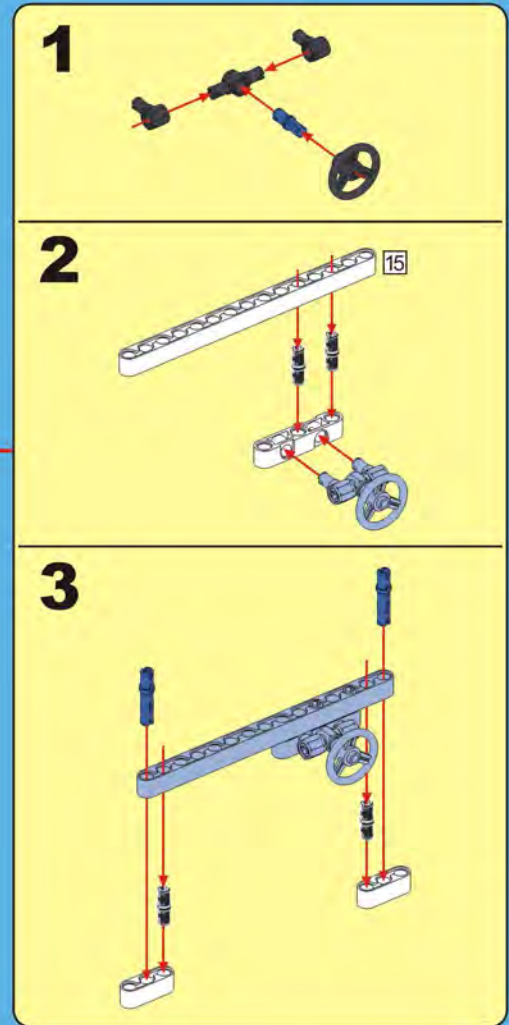
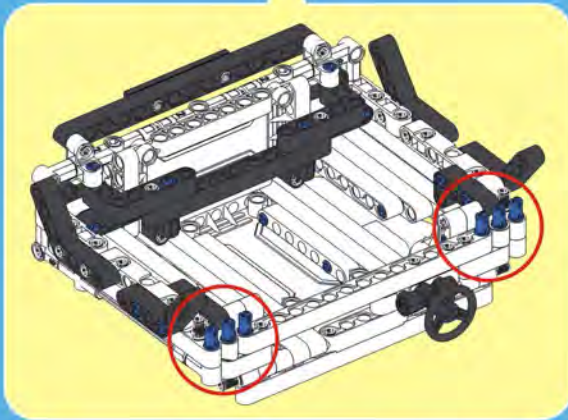
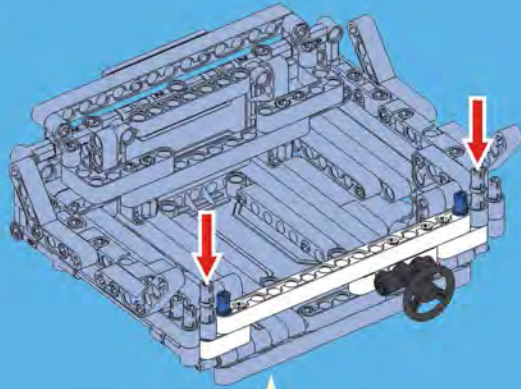


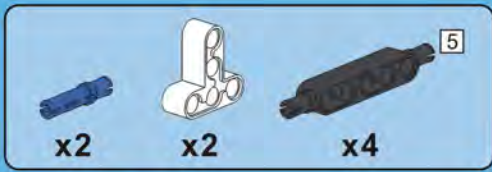
B29



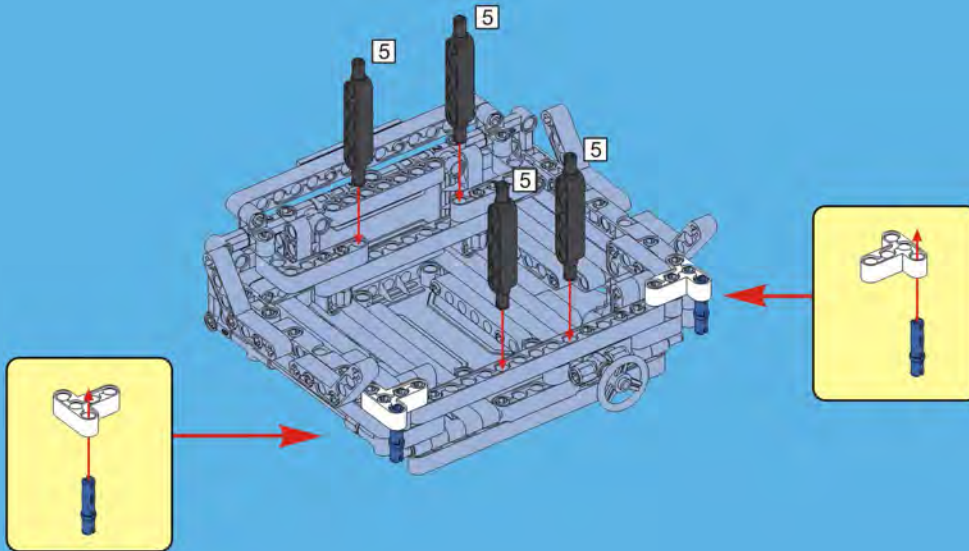


B30

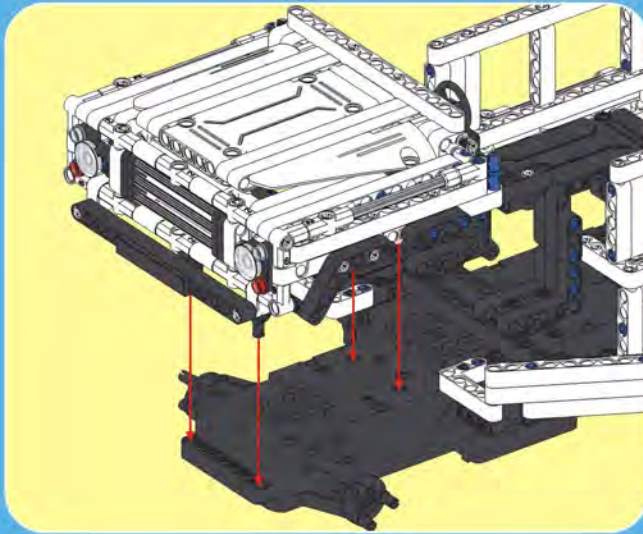




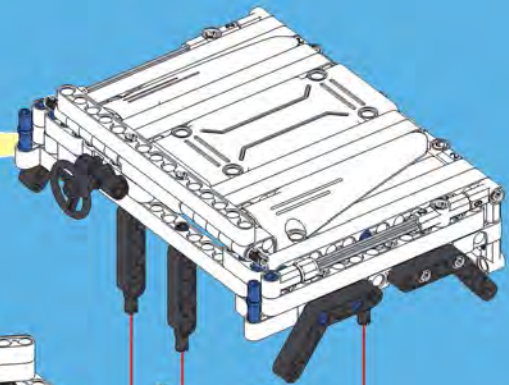
B31



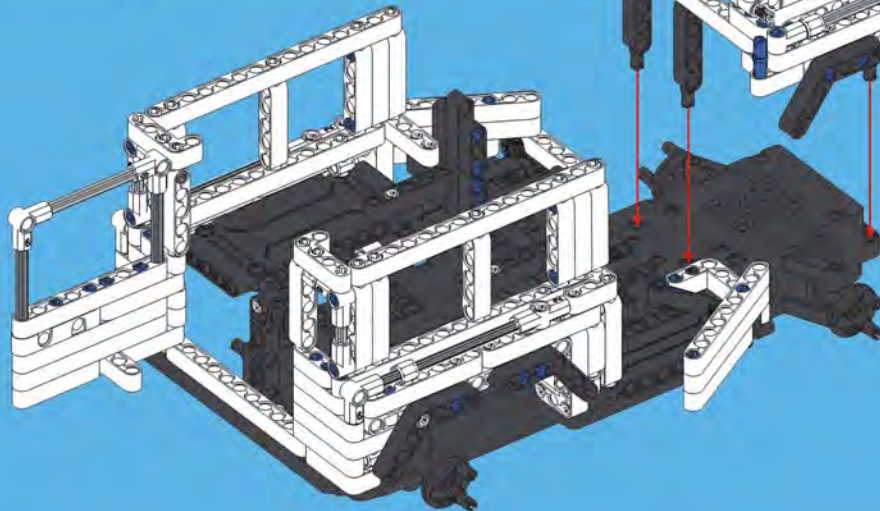
B32



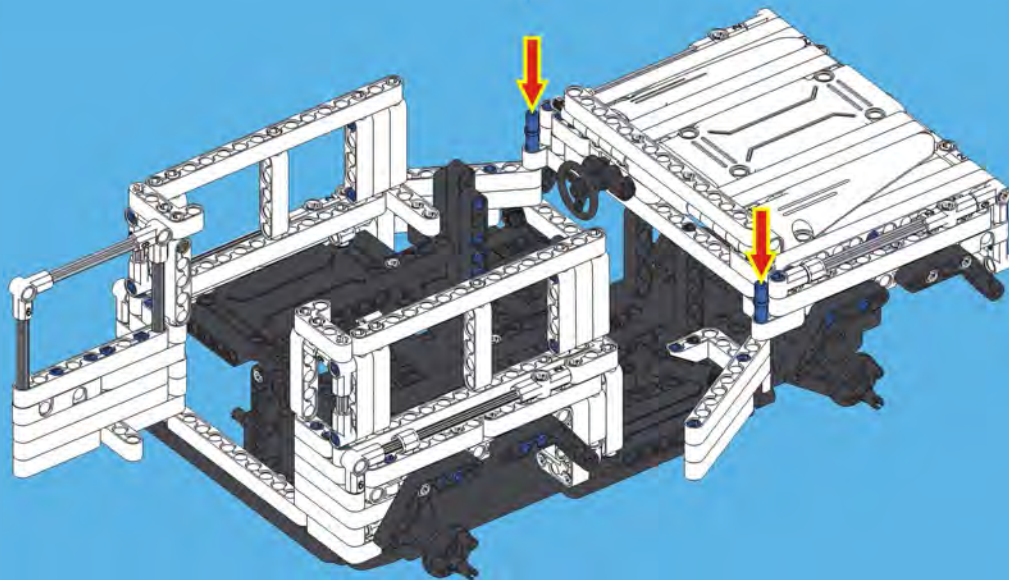
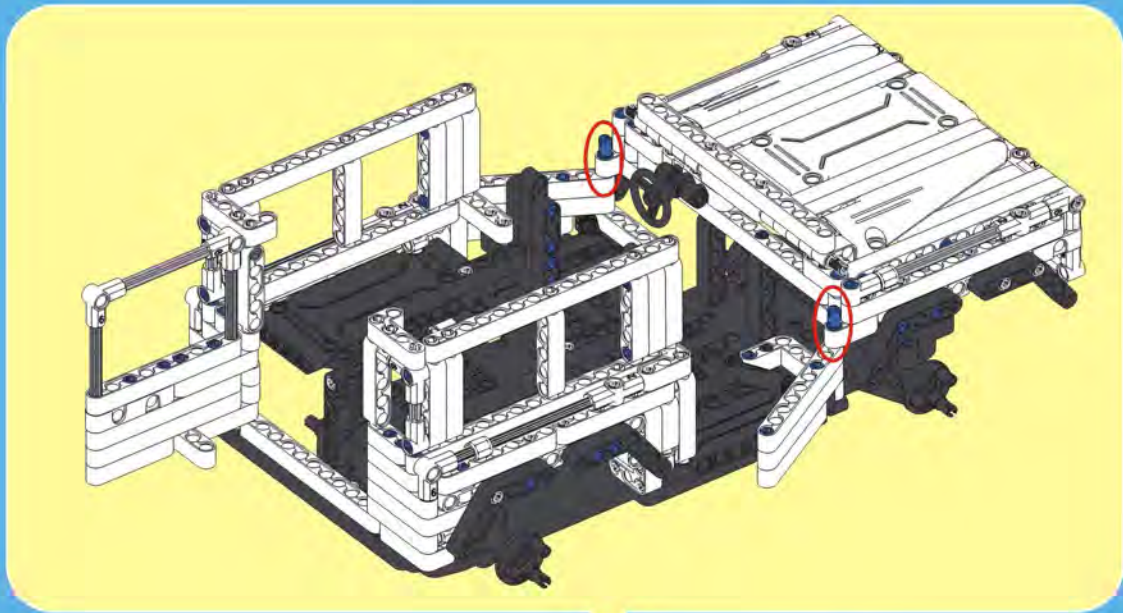
B31

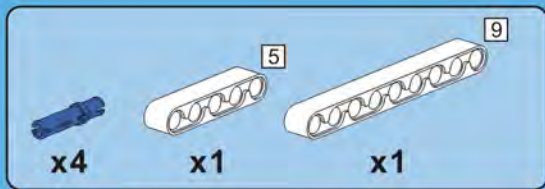


B3

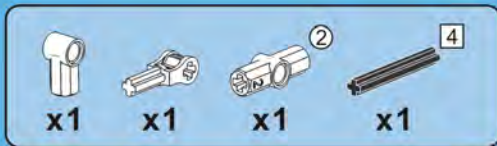
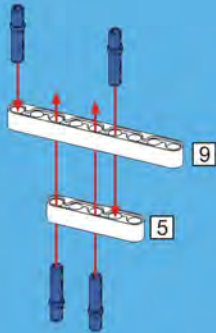


B33

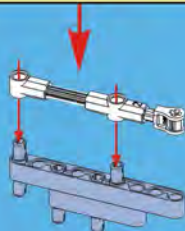
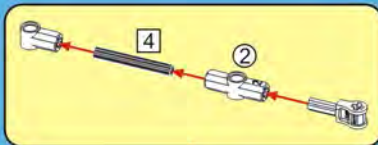




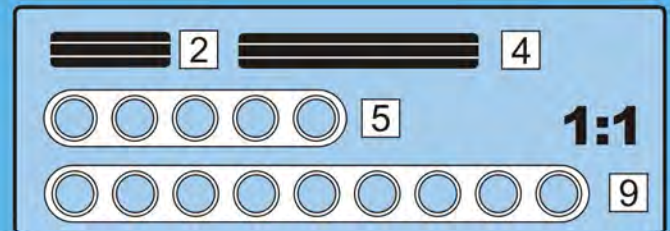
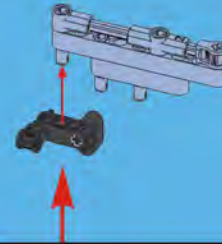
B34



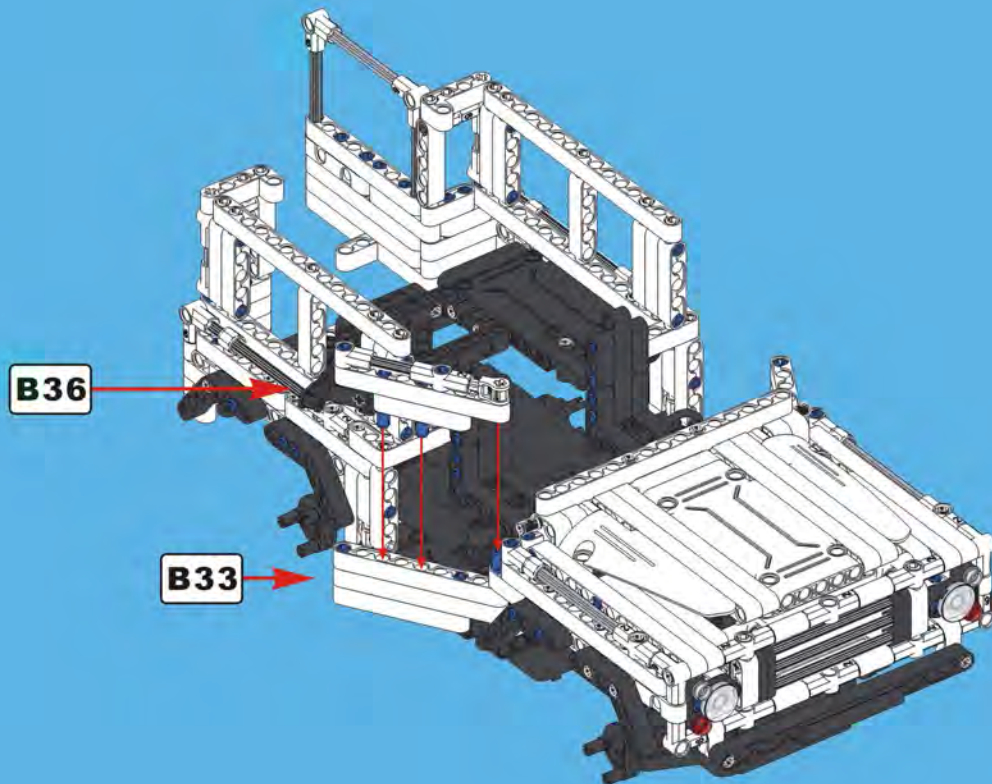
B35

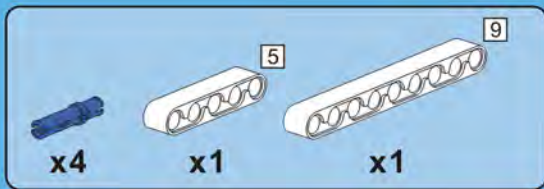


B36

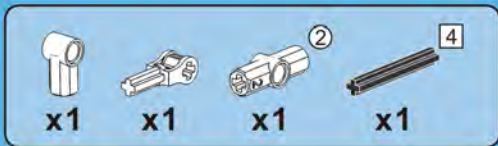
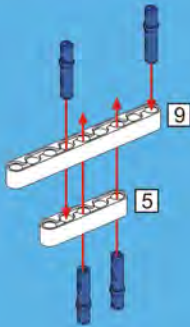


B37

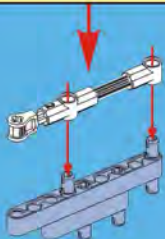
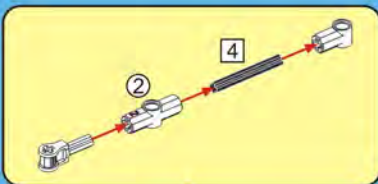




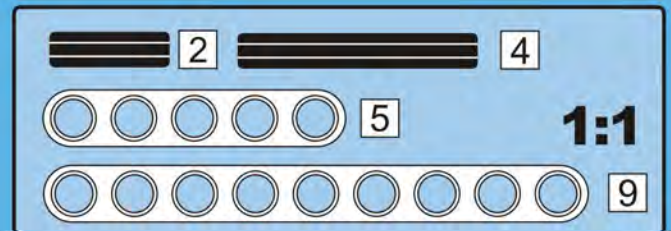
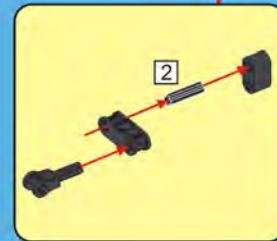
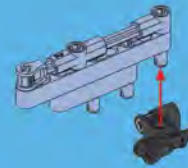
B38



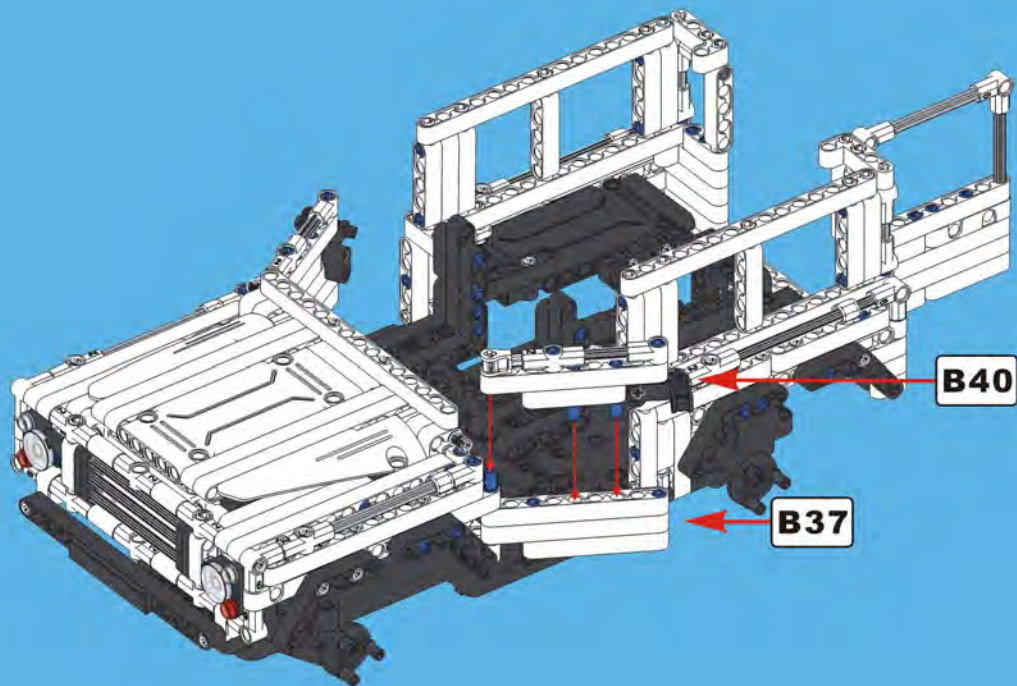
B39



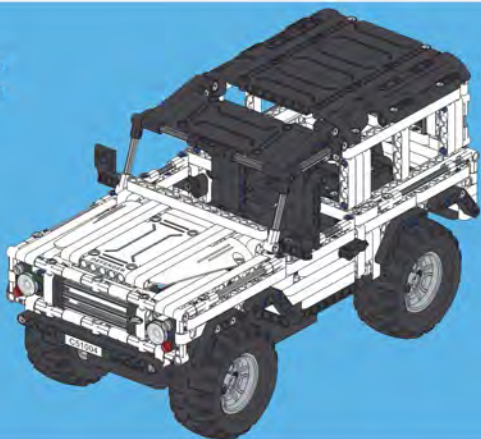
B40



B41



C



②



x8

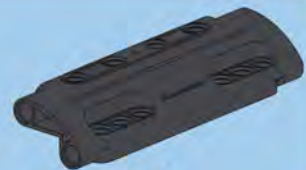


x1



①

x1



x2

C2

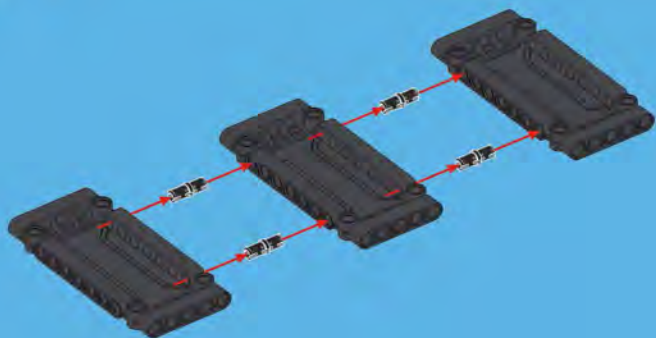


x4

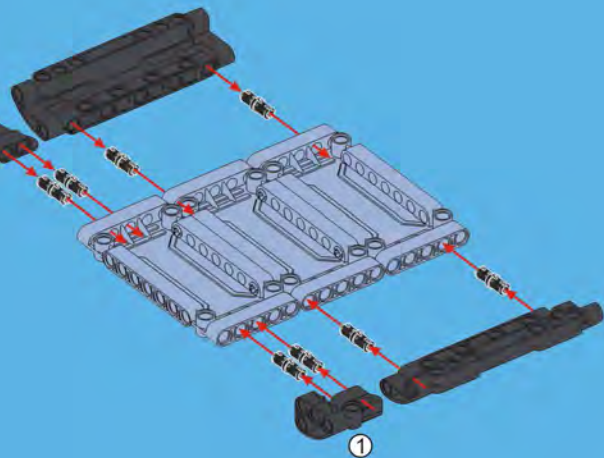


x3

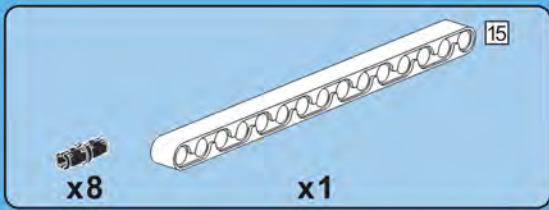
C1



②



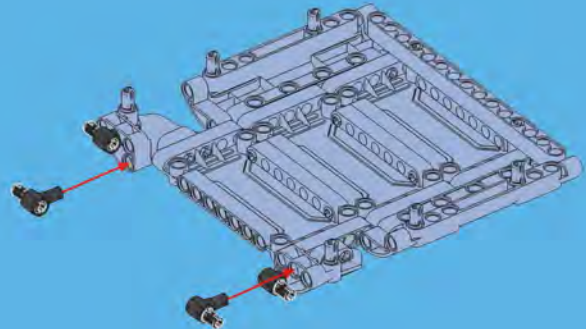
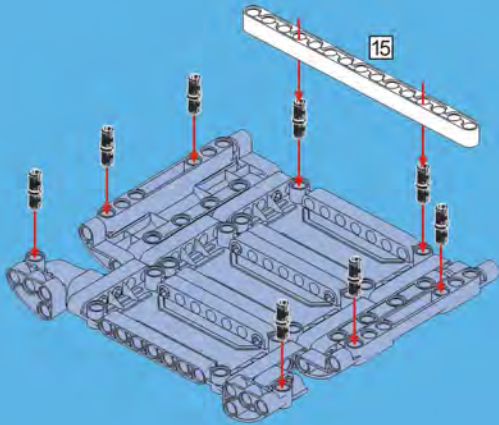
①



C3

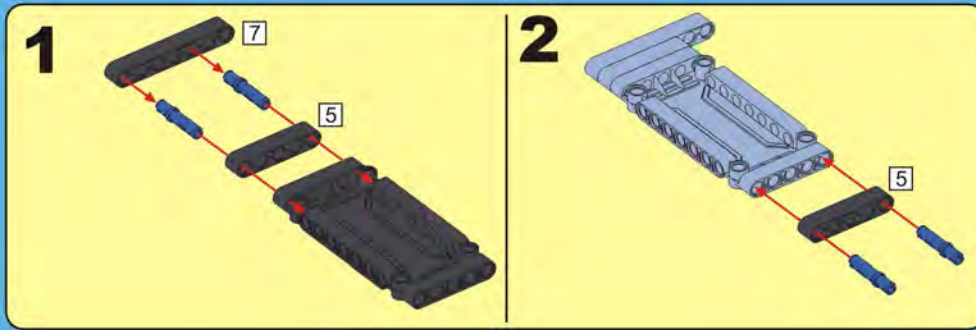


C4



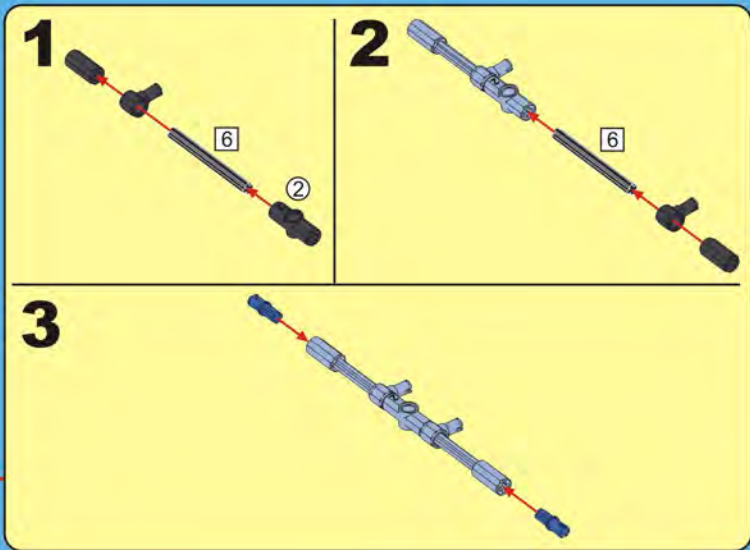
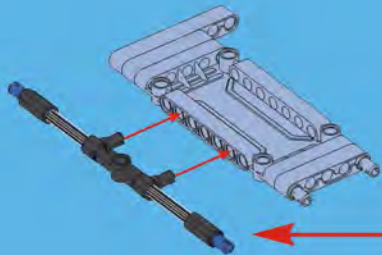


C5

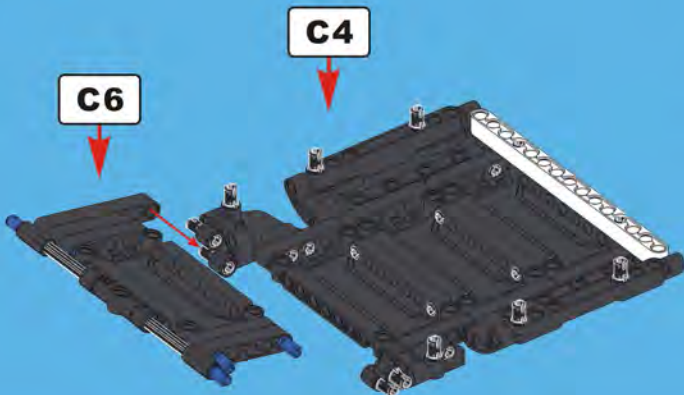




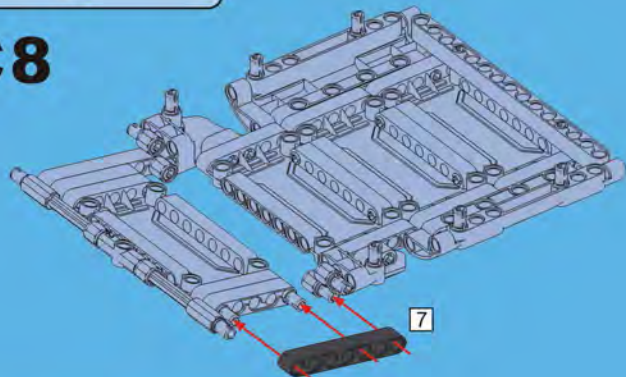
C6



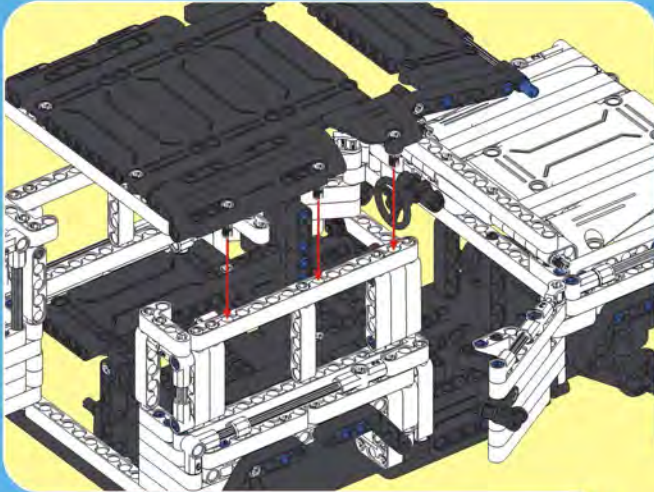
C7



C8



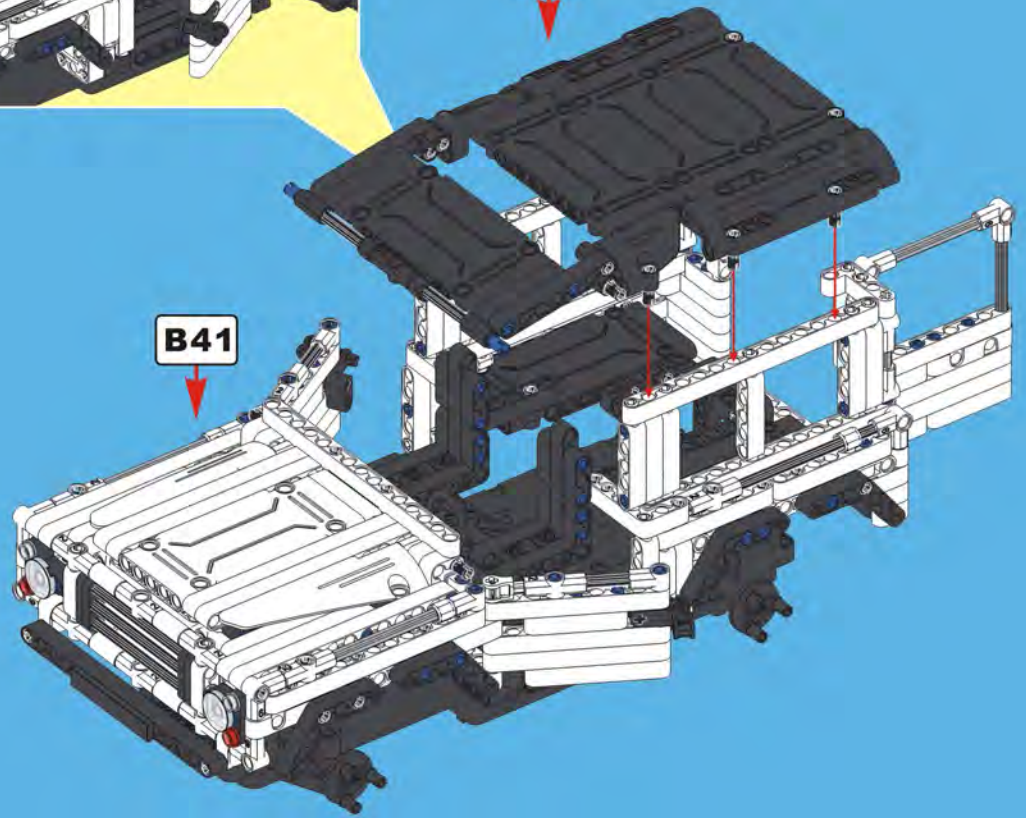
C9



C8

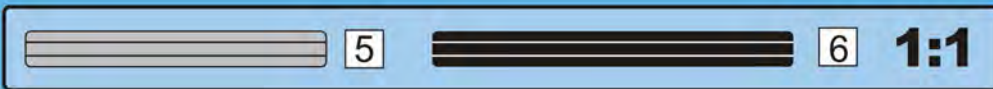
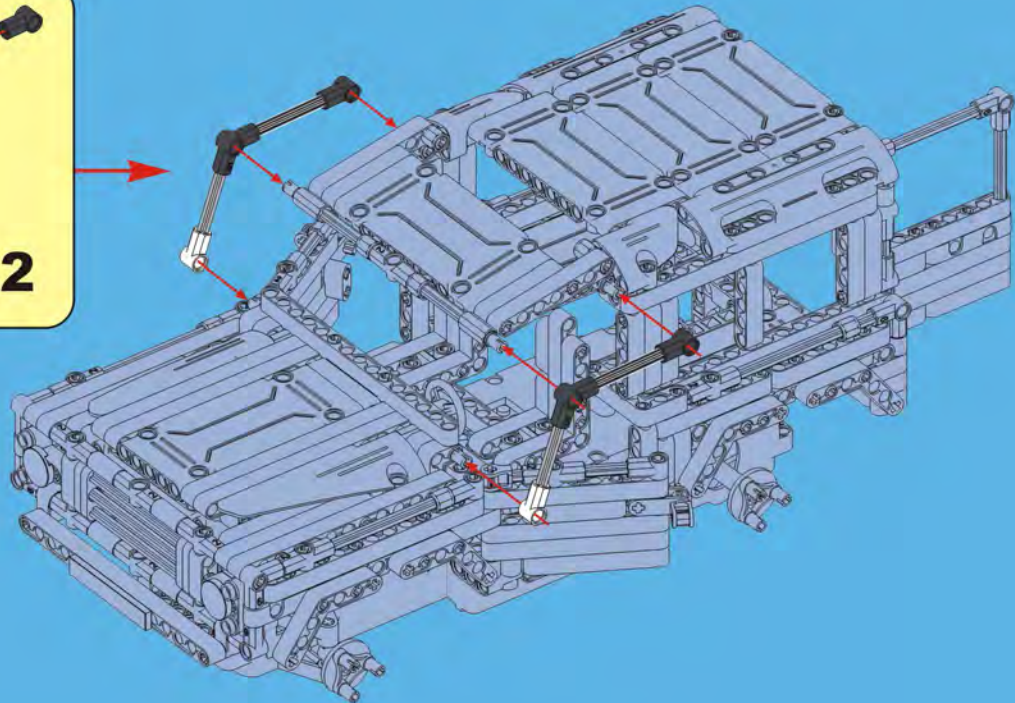
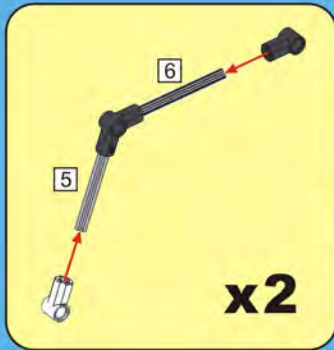


B41

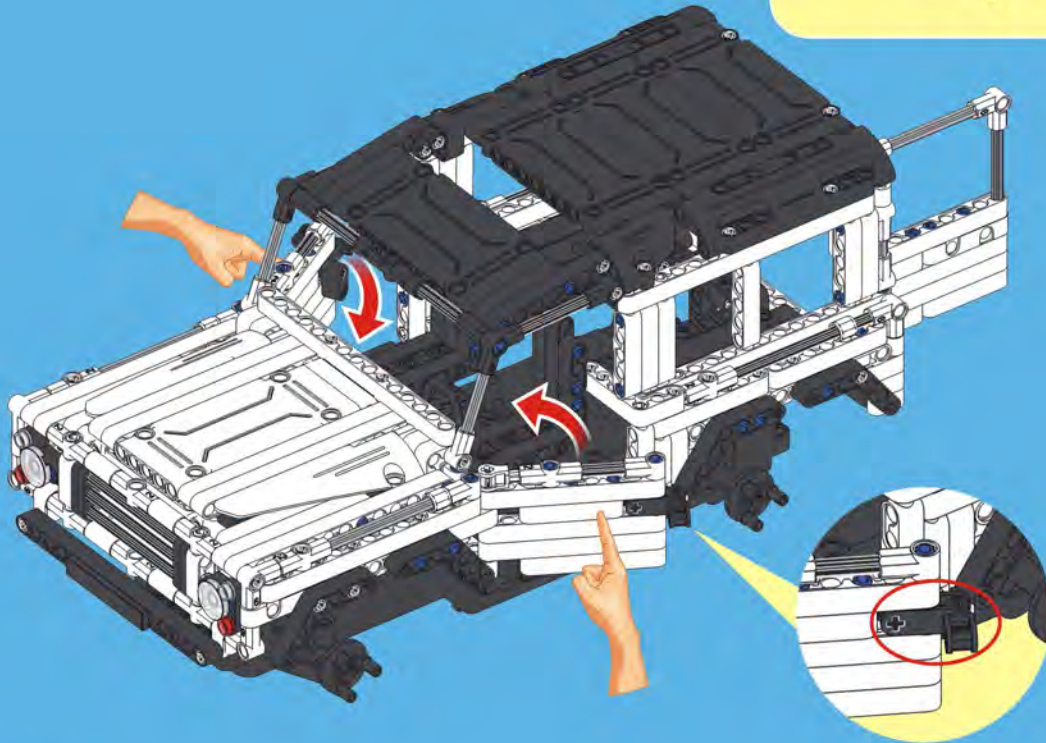
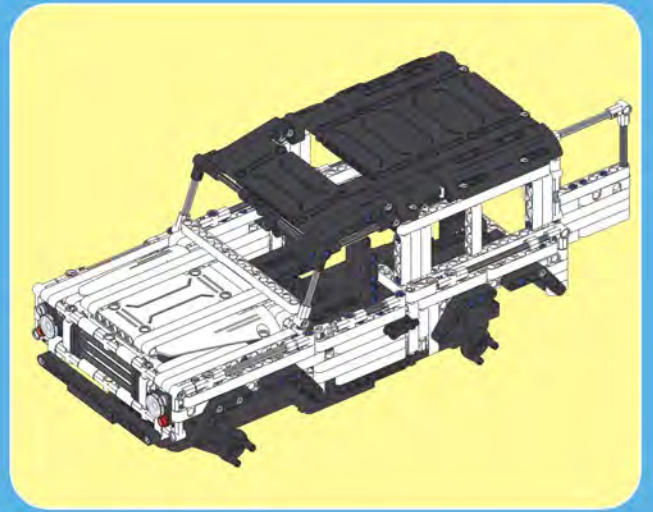




C10

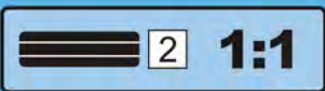
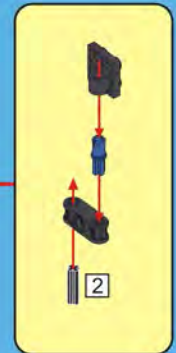
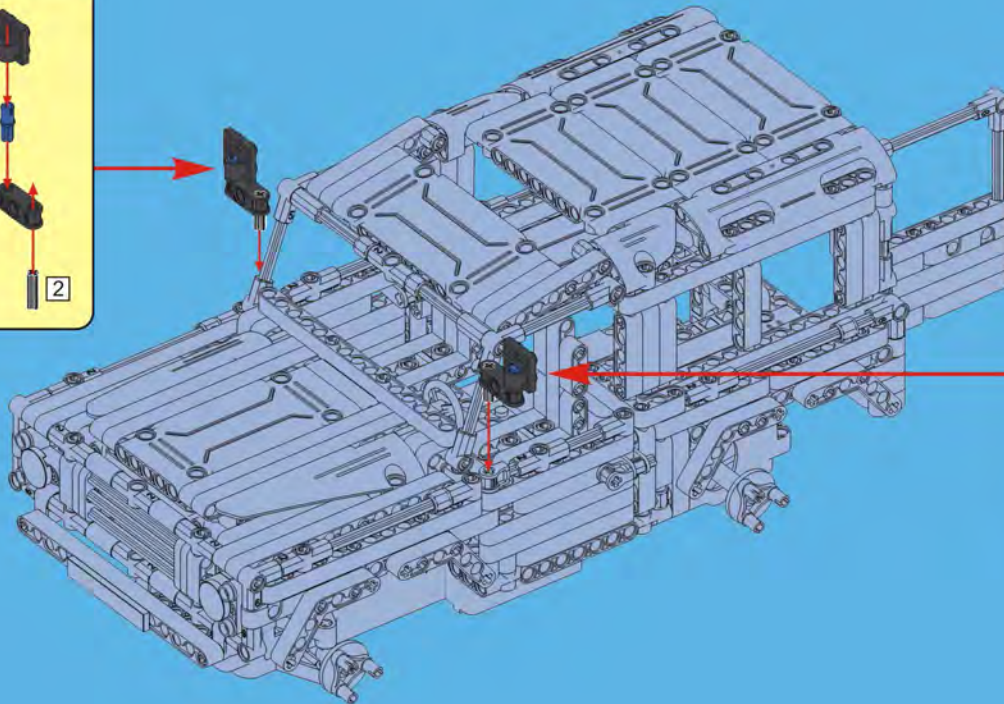
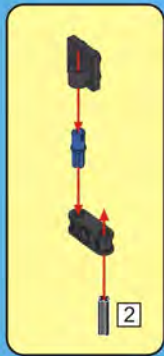


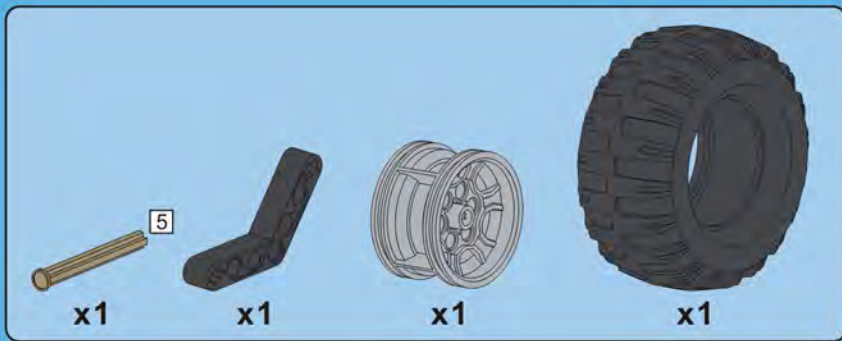
C11



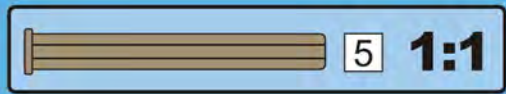
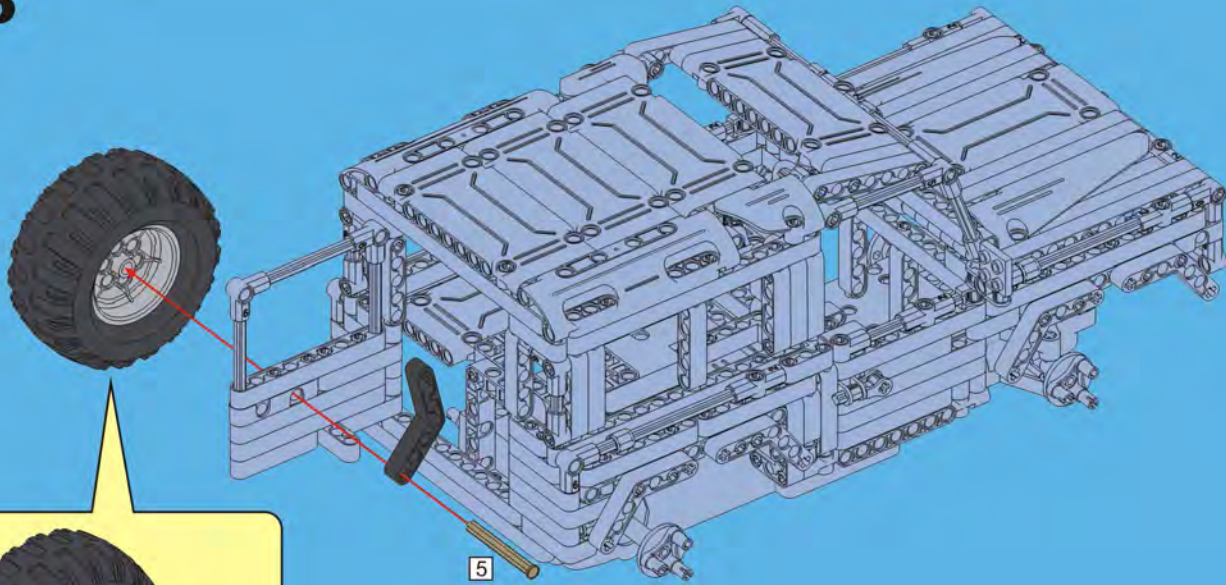


C12

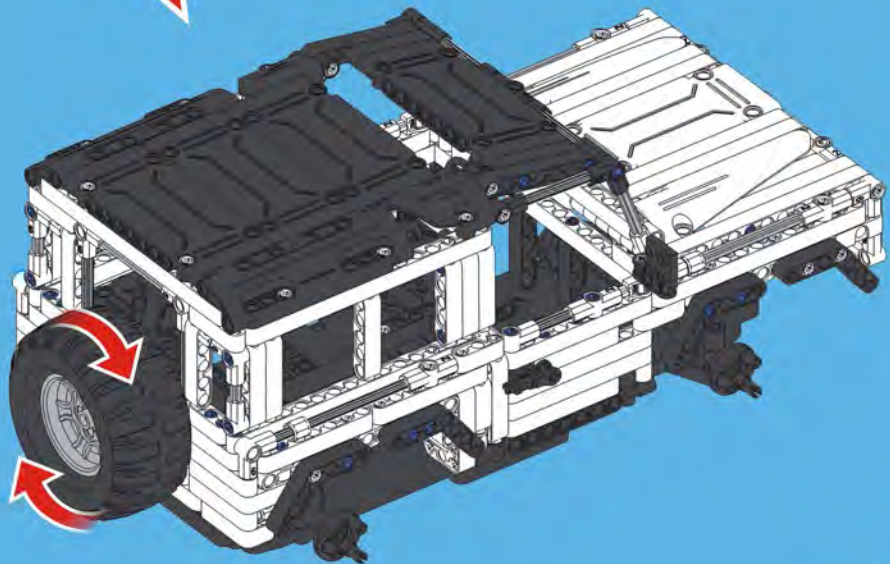
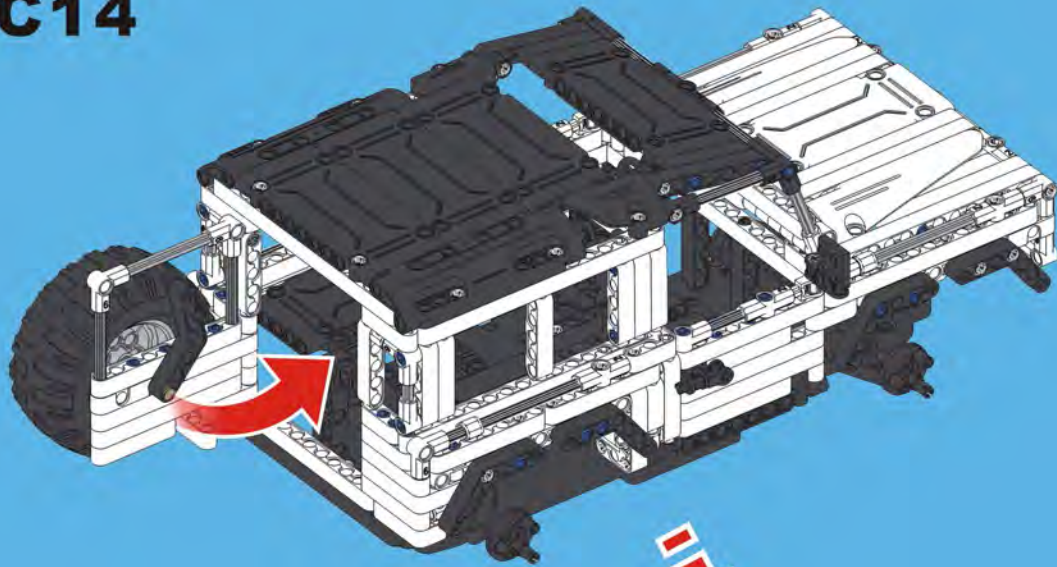


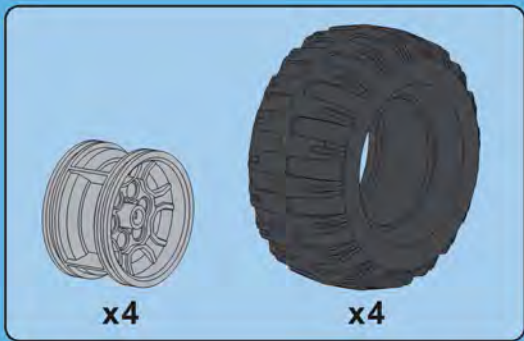


C13

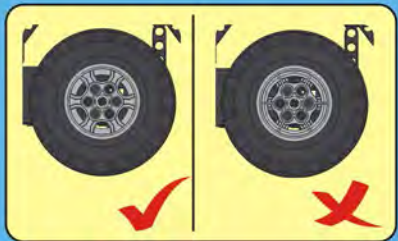
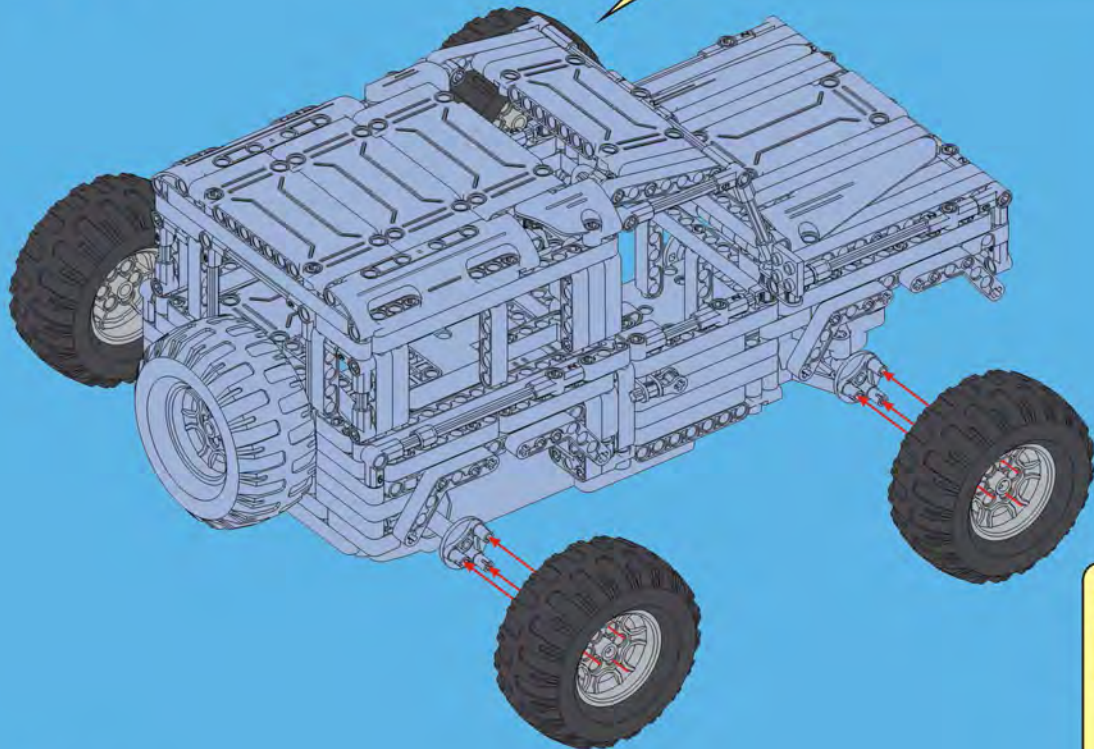
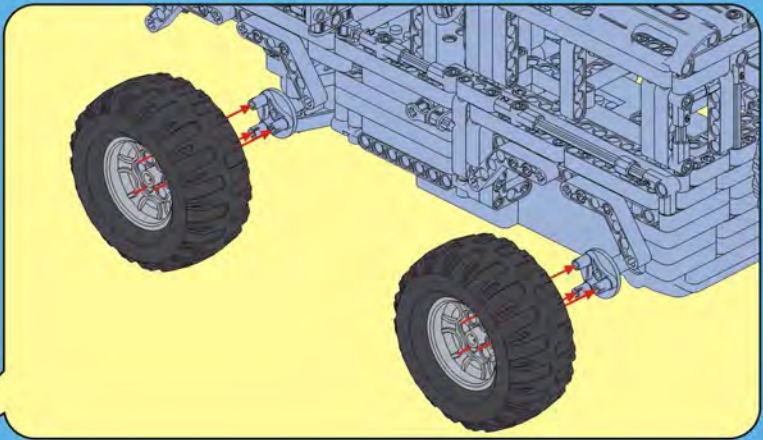


C14





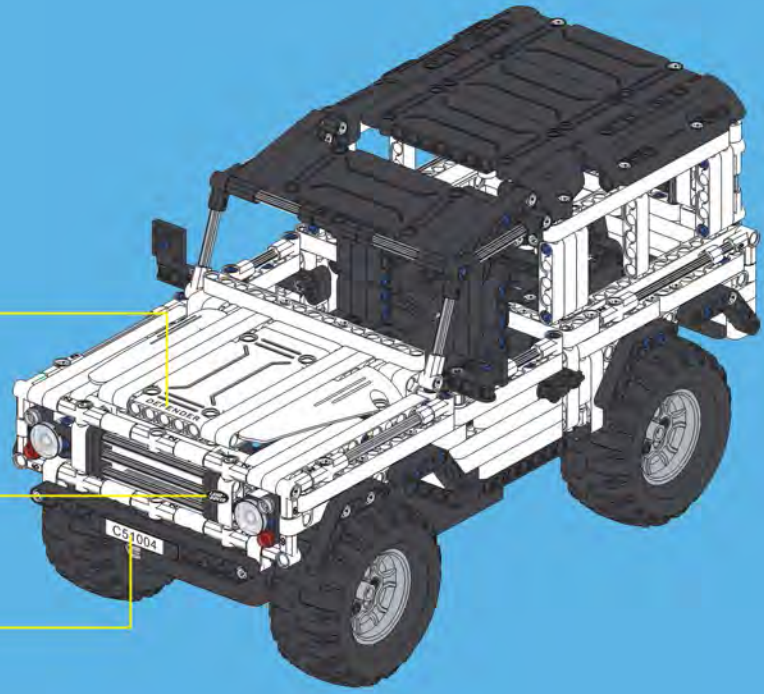
C15



1 DEFENDER

8 LAND-ROVER

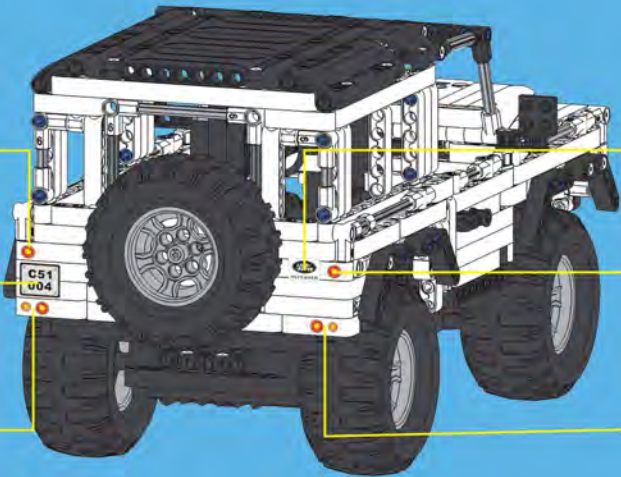
2 C51004



4

7 C51004

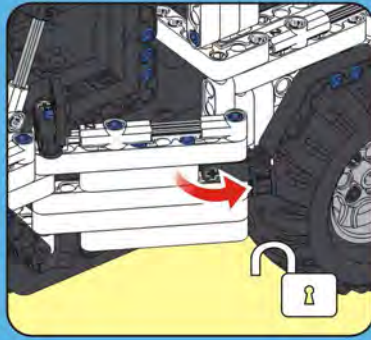
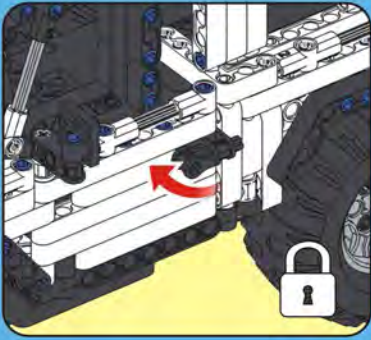
3

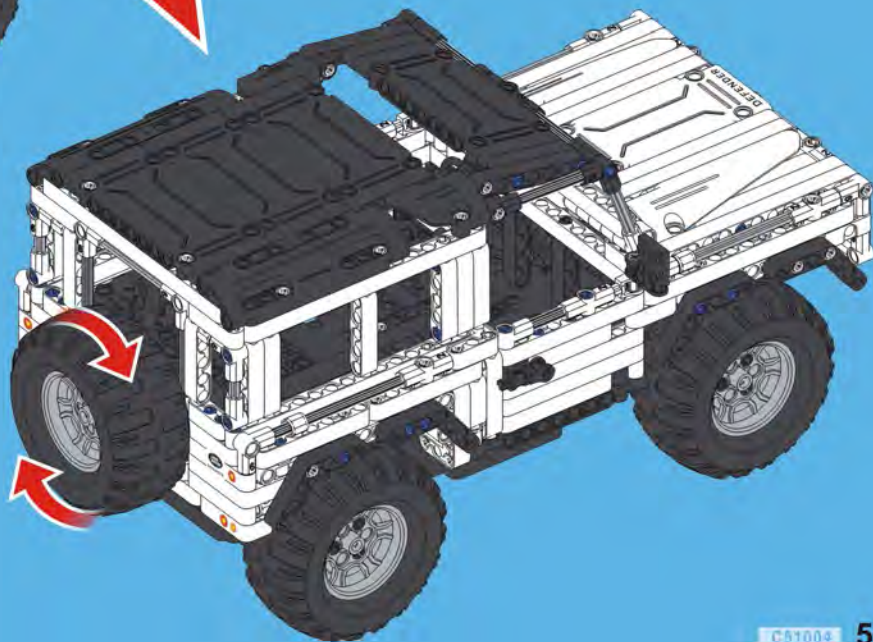
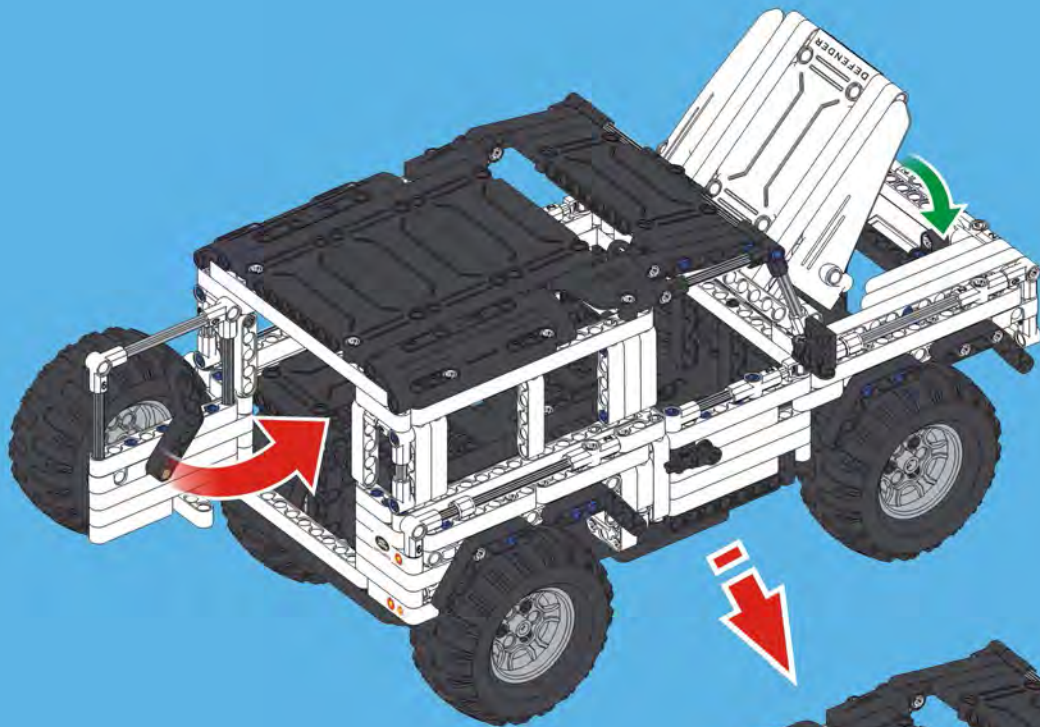


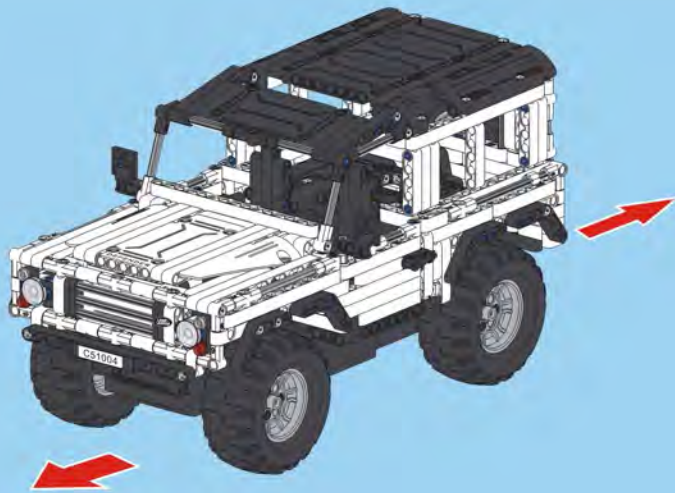
9 LAND-ROVER DEFENDER

6

5







x2 JB1001.07
 x2 JB1001.05
 x2 JB1004.05
 x2 JF8039.01
 x4 JJ4025.02
 x4 JH2015.01
 x2 JH2014.01
 x9 JH5001.01
 x96 JH2025.01
 x98 JH2016.01
 x6 JH5044.01
 x2 JH1019.02
 x2 JJ6019.01
 x6 JH5032.05
 x10 JH5032.01
 x10 JH5026.07
 x2 JH5026.01
 x4 JH3021.06

x2 JH5054.01
 x2 JH5054.06
 x4 JH6038.02
 x2 JH6027.07
 x2 JH6027.01
 x5 JH6048.08
 x1 JH6048.03
 x10 JH6028.07
 x2 JH4022.09
 x2 JH6029.01
 x10 JH6035.01
 x1 JX0041.01
 x2 JH6034.05
 x2 JH4058.04
 x2 JH4023.02

x1 JA3032.05
 x2 JH8067.01
 x8 JH0011.01
 x8 JH0013.01
 x6 JH0005.01
 x2 JH0004.01
 x1 JH0047.01
 x4 JH0006.01
 x1 JH0007.01
 x1 JH0008.01
 x2 JH0061.01
 x2 JH0009.01
 x4 JH0010.01
 x2 JJ7017.10
 x2 JJ7017.01

x10 JJ7011.07
 x2 JJ7011.02
 x9 JJ7012.07
 x10 JJ7012.02
 x9 JJ7013.02
 x4 JJ6035.05
 x16 JJ6036.04
 x4 JJ6036.03
 x2 JJ6031.07
 x4 JJ6032.04
 x2 JJ6033.08
 x2 JJ6038.06
 x5 JJ6004.07

x4 JJ6004.01
 x9 JJ6005.07
 x2 JJ6005.01
 x8 JJ6006.07
 x4 JJ6006.01
 x11 JJ6007.07
 x1 JJ6008.07
 x3 JJ6008.02
 x8 JJ6009.06
 x7 JJ6010.06
 x2 JJ6010.03
 x2 JX4038.05
 x6 JX4038.09

x2 JJ2041.01
 x2 JX4039.09
 x2 JX4040.08
 x1 JX4045.02
 x1 JX4045.01
 x1 JX4034.04
 x1 JX4034.03
 x5 JM3006.02
 x5 JR4004.01



C51006



C51008



C51009

